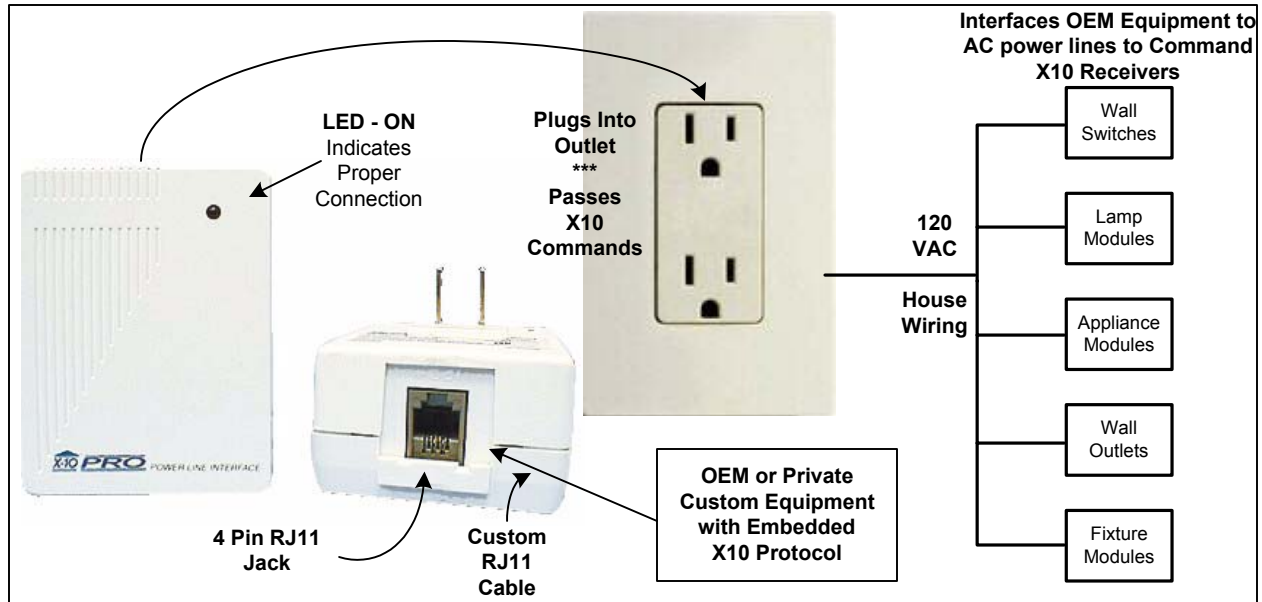


# Powerline Interface - One Way

# PSC04



**Description:** The PSC04 One-Way Powerline Interface Module allows the developer to interface their equipment with the 120V power line using standard X10 protocol. The Powerline Interface connects to a (non-PC) serial type data port using its standard RJ11 telephone jack. The interface cable is defined by the OEM manufacturer or private user according to their specific input connections on their equipment. X10 PRO does not sell this cable.

For more specific information regarding Powerline Carrier Interfacing go to: [www.x10pro.com](http://www.x10pro.com), select Technical Support Window, then Click on

**Tech Note: Technical Data Sheets defining the X10 Protocol.** No further Programming assistance is available beyond this technical document, which is provided for OEM or private use.

**Specific Requirements:** 120VAC Power.

#### Optional / Supplementary Devices & Modules:

PLM01 Plug-in Lamp Module, PLW01 Incandescent Wall Switch, PAM01 Plug-in Appliance Module, PAO11 Half-Split receptacle Module, XPFM Wire-in Fixture Module or any other X10 Receiver Modules.

#### X10 Protocol:

**House Code Dial** - Letters A-P    **Unit Number Dial** - Numbers 1-16

Each X10 Receiver Module is set to a unique Unit Number or to an identical Unit Number as desired.

Each X10 Controller operating a specific set of Receiver Modules must be set to the same House Code as the Receivers they are controlling.

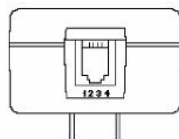
#### Electrical Protocol:

Nearly all residential homes are wired SPLIT-PHASE. Each 120V Phase is NOT directly connected with the other 120V phase. If after installation, an X10 Receiver does not respond to a remote Controller, then check to ensure that the breaker serving the X10 Receiver is on the same phase as the Controller. If not, the breaker can be changed to the opposite phase. An alternative solution is recommended, to install a Phase Coupler for improving remote communications throughout the home. See [www.x10pro.com](http://www.x10pro.com), then select Technical Support and PLC Troubleshooting.

#### Installation:

Create a cord to match the manufacturer's pin-outs to the PSC04 pin-outs below.

1. Zero Crossing Detect
2. Zero Crossing Common
3. X10 Common
4. X10 Data Input from OEM



#### Led Status

**Constant LED - ON:** The PSC04 is AC powered and ready. After plugging in the RJ11 cable to the OEM device, the LED should stay constant ON.

**Short Wink:** Indicates that a valid command has been received by the PSC04 from the OEM Equipment and re-transmitted over the AC power line. This occurs each time a valid X10 Command is sent from the OEM equipment. The PSC04 is strictly a pass-thru module having no buffer.

**Note:** If the LED goes out after you plug in the OEM device and cable, you may have a defective OEM port, or the wrong cable. Make sure you have identified each pin (1-4) to match that of the manufacturer's communications pin-out requirements.