



UPLINK MODEL 2550-CF
GSM ALARM COMMUNICATOR
PRODUCT ID # 19-25133-842

USER'S GUIDE
INSTALLATION AND OPERATING INSTRUCTIONS

UplinkTM

Table of Contents

1. Introduction.....	4
2. Key Features.....	5
3. Warranty Information and Liability Waiver.....	7
TERMS and CONDITIONS	7
LIMITED WARRANTY – NUMEREX DEVICES.....	7
NO WARRANTY – SERVICES.....	7
INDEMNIFICATION	8
LIMITATIONS of LIABILITY	8
4. FCC and Industry Canada Regulatory Compliance.....	9
Part 15.....	9
Part 68.....	9
5. FCC RF Exposure Information	11
6. Technical Support.....	11
7. Installation.....	12
A. General Considerations.....	12
B. DIP Switch Settings.....	12
C. LEDs.....	13
D. Locating and Installing the 2550-CF.....	15
E. Connecting The 2550-CF to the Alarm Panel and Telephone Jack	18
F. Activating The 2550-CF Unit.....	20
G. Programming and Central Station Reporting.....	21
H. Default Event/Email Messages.....	23
I. Completing the Installation and Testing.....	23
8. UL COMPLIANCE SECTION –Installation Recommendations.....	25
Commercial Fire (UL 864 - Category UOJZ).....	25
9. Specifications.....	28
Appendix A: Contact ID and SIA Event Codes.....	30
Appendix B: Model 2550-CF Default Event Codes.....	31
Appendix C: Web-configurable parameters for UL 864 compliance.....	32

1. Introduction

Uplink's MODEL 2550-CF GSM Alarm Communicator is an ETL Listed alarm and critical event communicator designed to interface with most manufacturers' alarm panels that incorporate a digital telephone dialer. The 2550-CF features a "**dialer capture**" interface to the alarm panel. If the alarm panel's TELCO connection is compromised, or if no TELCO connection is present, the 2550-CF will "**intercept**" the alarm panel's digital dialer output when the panel has an event to report, and communicate with the panel as if it were a central station alarm receiver. Once the 2550-CF communicates with the alarm panel, it transmits the alarm information to the central station receiver in either Contact ID (SIA-DC05) or SIA (SIA-DC03) format.

The 2550-CF uses GSM technology to receive programming and send event information to the central station and can be used as the primary or backup communications path as a digital dialer (or DACT).

2. Key Features

A. FULL DATA Reporting. Compatible with most alarm panels using Contact ID (SIA DC-05 Standard) or SIA FSK Level 1 (SIA DC-03 Standard) digital dialer formats. All information sent by the alarm panel in either format (account number, zone information, user IDs, etc.) will be sent to the central station using the telephone line or the GSM network.

B. Telephone Line Supervision. Features a built-in telephone line monitoring circuit designed to detect voltage (in the On-Hook state) or voltage and current (in the Off-Hook state). If insufficient voltage or current is detected, a relay is activated causing the unit to “intercept” (or “capture”) the alarm panel’s digital dialer output and substitute the GSM cellular network for the Public Switched Telephone Network as the communications path for sending event information.

C. Panel to 2550-CF Cable Supervision. Monitors continuity of the cable connecting the panel’s telephone dialer to the 2550-CF. This feature is activated through the web site www.uplink.com or by calling Uplink Customer Service at 1-888-9-UPLINK (1-888-987-5465).

D. Zone Inputs. Reports programmed events to the central station.

Note: One suggested use for this feature is to allow a summary alarm output from the alarm panel to be connected to one of the inputs and report a summary alarm event to the central station. This prevents circumventing the TELCO supervision circuit and assuming that a compromising PSTN line is operational. This is a unique feature not found in many other dialer capture products on the market today.

E. Three Relay Outputs. Activates upon the occurrence of one or more of the following Trouble conditions:

- Cellular Network Loss
- No Central Station Acknowledgement
- AC Loss
- Low or Missing Battery
- Telco Line Loss
- Panel/MODEL 2550-CF Cable Supervision Trouble
- Activation of Input(s)
- Unit Disabled by Dealer Command
- Watchdog Circuit Activation
- Catastrophic Failure Condition

F. Power Source Monitoring (AC & Low Battery Reporting). Reports low battery conditions to the central station when voltage drops below 10.2 VDC. Reports Low Battery Restoral at 11.4 VDC. It can also be programmed to report

Loss of AC power to the central station. This occurs at 102 VAC and restores at 107 VAC.

G. Automated Testing. Sends an automated test signal to the central station on a monthly, weekly or daily interval as programmed.

H. GSM Network Supervision. Supervises the local GSM network. If the unit no longer locates the local GSM network, one of its output relays activates to report this trouble condition locally.

I. Status/Received Signal Strength LEDs. The five LEDs indicate the current operational status and are visible from outside the enclosure. These LEDs can be placed into Received Signal Strength Indication mode (RSSI) to assist in selecting the optimal mounting location for transmitting and receiving cellular radio signals.

J. Easy Service Initiation. Ships with an active SIM card, with easy activations available via the Web at www.uplink.com or by calling Uplink Customer Service at 1-888-9-UPLINK (1-888-987-5465). Requires the central station receiver phone number and/or its IP address and Port number.

K. Web-based Services. Available at www.uplink.com and include:

- a. immediate, real-time activation
- b. history of past event transmissions
- c. initiation of a test report
- d. the ability to query the unit and receive a real-time radio report status including a Received Signal Strength reading
- e. programming inputs and other internally generated events

L. ETL Listed. Electrical Testing Laboratories (ETL) was founded in 1896 by Thomas Edison, and is one of the oldest product safety testing laboratories in the world. Certification by ETL assures that the 2550-CF has been tested to meet US safety and performance standards. Like the UL Mark, the ETL Listed Mark shows that our product has been independently tested by a Nationally Recognized Testing Laboratory (NRTL) and that it has met the minimum requirements of widely accepted product safety standards. The ETL Listed Mark is recognized and readily accepted by manufacturers, retailers, distributors and authorities having jurisdiction (AHJs).

The Model 2550-CF unit is ETL Listed and conforms to UL Standard 864 for Control Units and Accessories for commercial fire alarm systems. It is perfectly suited for use in any UL certificated commercial fire alarm system that conforms to the above standard. (See the UL Compliance Section of this manual for complete details.)

3. Warranty Information and Liability Waiver

TERMS and CONDITIONS

These terms and conditions are a legal contract between you and the Company and supplement (but do not supersede) the terms and conditions of any master agreement between you and Uplink Security, Inc. (the “Company”) governing your purchase of the Product from the Company. By using, marketing, or selling the Product, you agree to these terms and conditions. In the event of any conflict with the master agreement, the terms and conditions of the master agreement will control.

LIMITED WARRANTY – NUMEREX DEVICES

Uplink warrants, to parties purchasing Uplink equipment directly from Uplink, i.e., to its authorized distributors and to no other parties, that for 12 months following the date of purchase, Uplink equipment will be free of defects in materials and workmanship when installed, operated, maintained, and serviced in strict accordance with Uplink’s and, if applicable, the manufacturer’s requirements. If Uplink equipment fails because of a defect in materials or workmanship within the warranty period, Uplink will, at its sole option and at no charge, repair or replace it. Uplink’s agreement to repair (using new or reconditioned parts) or replace (with a comparable new or reconditioned Uplink unit) is the exclusive remedy with respect to Uplink Equipment found to be defective in materials or workmanship; this remedy will not be deemed to have failed of its essential purpose so long as Uplink is willing and able to repair or replace the defective unit as provided above or, at Uplink’s sole option, to refund the purchase price paid. Parties purchasing Uplink equipment from a distributor are referred to the distributor with respect to any product claims they may have.

THE FOREGOING WARRANTY IS LIMITED AND IS THE ONLY WARRANTY OFFERED HEREUNDER. UPLINK MAKES NO OTHER WARRANTIES, EXPRESS OR IMPLIED, INCLUDING, WITHOUT LIMITATION, THE IMPLIED WARRANTIES OF MERCHANTABILITY AND FITNESS FOR A PARTICULAR PURPOSE, TITLE, NON-INFRINGEMENT, AND NON-OBSOLESCENCE. THE FOREGOING WARRANTY FURTHERMORE DOES NOT COVER UPLINK DEVICES THAT (A) HAVE BEEN IMPROPERLY INSTALLED, MAINTAINED, OR SERVICED; (B) HAVE BEEN TAMPERED WITH OR DEFACED; OR (C) HAVE BEEN SUBJECTED TO ABUSE OR A HOSTILE OPERATING ENVIRONMENT.

NO WARRANTY – SERVICES

ALL SERVICES ASSOCIATED WITH UPLINK DEVICES INCLUDING, WITHOUT LIMITATION, NETWORK CONNECTIONS ENABLED BY UPLINK, ARE PROVIDED STRICTLY AS-IS, WITHOUT WARRANTY OF ANY KIND INCLUDING, WITHOUT LIMITATION, WARRANTIES OF MERCHANTABILITY AND FITNESS FOR A PARTICULAR PURPOSE, TITLE, NON-INFRINGEMENT, NON-OBSOLESCENCE, NON-INTERRUPTION, AND FREEDOM FROM ERROR.

Other terms and conditions and limitations of liability apply as set forth in the applicable contractual agreement with Uplink.

INDEMNIFICATION

You agree to defend, hold harmless, and indemnify the Company and its affiliates and their respective officers, directors, employees, and agents from and against any and all damages, liability, costs, and expenses (including, without limitation, reasonable attorneys' fees) arising out of or relating to (a) any claim for breach of this Agreement by you; (b) any claim for negligence, intentional misconduct, or any other act or omission on the part of you or your employees, agents, or representatives; (c) personal injury, death, or property damage allegedly or impliedly caused by you or your employees, agents, or representatives in connection with this Agreement; or (d) any claim that an application of the Product or your actions in distributing the Product or integrating it with other hardware, software, or systems infringe the intellectual property rights of a third party.

LIMITATIONS of LIABILITY

THE COMPANY SHALL NOT BE LIABLE FOR ANY ACTS OR OMISSIONS OF YOU, YOUR CUSTOMERS, END USERS OF THE PRODUCT, OR ANY THIRD PARTY INCLUDING, WITHOUT LIMITATION, ANY ENTITY FURNISHING EQUIPMENT, SOFTWARE, FIRMWARE, OR SERVICES TO THE COMPANY, YOU, YOUR CUSTOMERS, OR END USERS OF THE PRODUCT, NOR SHALL THE COMPANY BE LIABLE FOR ANY DAMAGES ATTRIBUTABLE, IN WHOLE OR IN PART, TO THE FAILURE OF SAID EQUIPMENT, SOFTWARE, FIRMWARE, OR SERVICES. THE COMPANY SHALL NOT BE LIABLE FOR INTERRUPTIONS IN, OR INTERFERENCE WITH, THIRD PARTY TELECOMMUNICATIONS CARRIERS' TRANSMISSIONS OVER WHICH THE COMPANY HAS NO CONTROL, I.E., FOR INTERRUPTIONS OR INTERFERENCE CAUSED BY NETWORK CONGESTION, WEATHER CONDITIONS, TERRAIN, BUILDINGS, LOCALIZED "GAPS" IN TELECOMMUNICATIONS NETWORK COVERAGE, AND OTHER NATURAL OR ARTIFICIAL CONDITIONS OVER WHICH THE COMPANY HAS NO CONTROL. THE COMPANY SHALL NOT BE LIABLE FOR ANY INDIRECT, INCIDENTAL, SPECIAL, EXEMPLARY, PUNITIVE, OR CONSEQUENTIAL DAMAGES, INCLUDING, WITHOUT LIMITATION, LOST REVENUES, DATA, OR PROFITS, REGARDLESS OF WHETHER THE COMPANY WAS ADVISED OF, OR COULD HAVE REASONABLY FORESEEN, THE POSSIBILITY OF SUCH DAMAGES. THE COMPANY SHALL NOT BE LIABLE IN THE EVENT THAT FUTURE TECHNOLOGICAL CHANGES IMPLEMENTED BY ANY THIRD PARTY OR GOVERNMENTAL ENTITY RENDER THE PRODUCT WHOLLY OR PARTIALLY INOPERABLE. OTHER LIMITATIONS OF LIABILITY MAY APPLY AS PROVIDED BY THE MASTER AGREEMENT, IF ANY, GOVERNING YOUR PURCHASE OF THE PRODUCT FROM THE COMPANY.

4. FCC and Industry Canada Regulatory Compliance

Part 15

This device complies with Part 15 of the FCC Rules. Operation is subject to the following two conditions: (1) this device may not cause harmful interference, and (2) this device must accept any interference received, including interference that may cause undesired operation.

This equipment has been tested and found to comply with the limits for a Class B digital device, pursuant to Part 15 of the FCC Rules. These limits are designed to provide reasonable protection against harmful interference in a residential installation. This equipment generates uses and can radiate radio frequency energy and, if not installed and used in accordance with the instructions, may cause harmful interference to radio communications.

However, there is no guarantee that interference will not occur in a particular installation. If this equipment does cause harmful interference to radio or television reception, which can be determined by turning the equipment off and on, the user is encouraged to try to correct the interference by one or more of the following measures:

- Reorient or relocate the receiving antenna.
- Increase the separation between the equipment and receiver.
- Connect the equipment into an outlet on a circuit different from that to which the receiver is connected.
- Consult the dealer or an experienced technician for help.

Part 68

This equipment complies with Part 68 of the FCC rules and the requirements adopted by the ACTA. On the side of the cover of the 2550-CF is a label that contains the product identifier, US: 3F0MO00BANYNETFDM. If requested, this number must be provided to the telephone company.

The 2550-CF employs two USOC RJ31X jacks.

The RJ31X plug and jack used to connect this equipment to the premises wiring and telephone network must comply with the applicable FCC Part 68 rules and requirements adopted by the ACTA. A compliant telephone cord and modular plug is provided with this product. It is designed to be connected to a compatible modular jack that is also compliant.

The **Ringer Equivalence Number (REN)** is used to determine the number of devices that may be connected to a telephone line. Excessive RENs on a

telephone line may result in the devices not ringing in response to an incoming call. In most but not all areas, the sum of RENs should not exceed five (5.0). To be certain of the number of devices that may be connected to a line, as determined by the total RENs, contact your local telephone company. The REN for this product is part of the product identifier that has the format US:AAAEQ##TXXXX. The digits represented by ## are the REN without a decimal point (e.g., 03 is a REN of 0.3).

If the 2550-CF causes harm to the telephone network, the telephone company will notify you in advance that temporary discontinuance of service may be required. But if advance notice is not practical, the telephone company will notify the customer as soon as possible. Also, you will be advised of your right to file a complaint with the FCC if you believe it is necessary.

The telephone company may make changes in its facilities, equipment, operations or procedures that could affect the operation of the equipment. If this happens, the telephone company will provide advance notice in order for you to make necessary modifications to maintain uninterrupted service.

If trouble is experienced with the 2550-CF, please contact Uplink Technical Support at 888-9-UPLINK (888-987-5465) **for Repair and Warranty service**. If the equipment is causing harm to the telephone network, the telephone company may request that you disconnect the equipment until the problem is resolved.

The 2550-CF is not designed to be repaired in the field by an Installer. Repairs to this unit should only be undertaken by qualified Uplink Security personnel.

The 2550-CF should not be used on a party line. Connection to party line service is subject to state tariffs. Contact the state public utility commission, public service commission or corporation commission for additional information.

If your home has specially wired alarm equipment connected to the telephone line, ensure the installation of the 2550-CF does not disable your alarm equipment. If you have questions about what will disable alarm equipment, consult your telephone company or your alarm company.

5. FCC RF Exposure Information

In August 1996 the Federal Communications Commission (FCC) of the United States with its action in Report and Order FCC 96-326 adopted an updated safety standard for human exposure to radio frequency electromagnetic energy emitted by FCC regulated transmitters. Those guide-lines are consistent with the safety standard previously set by both U.S. and international standards bodies. The design of this module complies with the FCC guidelines and these international standards. The FCC ID of this unit is TWV192513384X. For more information about RF exposure, please visit the FCC website at www.fcc.gov.

The term “IC” before the certification/registration number only signifies that the Industry Canada Technical Specifications were met. The external antennas used for this module must provide a separation distance of at least 20cm from all persons and must not be co-located or operating in conjunction with any other antenna or transmitter.

6. Technical Support

Technical support is available Monday through Friday, 8:00 AM to 8:00 PM ET excluding holidays. Before calling technical support please ensure to have read the installation guide completely. Technical support requires the caller to provide:

- Login name
- Password
- Serial number of the 2550-CF

UPLINK Technical Support
1600 Parkwood Circle, Suite 500
Atlanta, GA 30339
888-9-Uplink (888-987-5465)
Fax: 770-693-3501

For Customer Support, call 888-987-5465, or visit www.uplink.com.

7. Installation

NOTICE TO USERS, INSTALLERS, AUTHORITIES HAVING JURISDICTION AND OTHER INVOLVED PARTIES

This product incorporates field-programmable software which can be changed over the GSM Wireless connection. In order for the product to comply with the requirements in the Standard for Control Units and Accessories for Fire Alarm Systems, UL 864, certain programming features or options must be limited to specific values.

The list of possible modifiable configuration options, as well as the proper settings to maintain UL 864 Compliance, is listed in **Appendix C: Web-configurable parameters for UL compliance**.

A. General Considerations

Determine where to mount the unit. Keep the following in mind:

- a. Obtain the best transmitted and received signal strength for the cellular radio. (If a very strong cellular signal is not available, first power the unit with the AC power and turn on S4 to test for the location that provides the best signal strength.)
- b. Proximity to a Plug for the AC transformer.
- c. Proximity to the alarm panel and where to route the 2550-CF unit's relay outputs that connect to the alarm panel unit's inputs, and vice versa. (These wires will need to be in conduit for a UL certificated installation. See the UL Compliance Section.)
- d. Proximity to the RJ31X Telco jack from the telephone system.

B. DIP Switch Settings

The 2550-CF has a four-position dipswitch. The dipswitches function as follows:

SWITCH No.	SETTING	FUNCTION
S1: Default	OFF	Normal Operations
Load	ON	Load defaults
S2: Panel	OFF	CID protocol
Protocol	ON	SIA (Level 1 & partial Level 2)
S3: Battery	OFF	Normal Operation
Mode	ON	Battery Mode Override enabled
Override		
S4: LED	OFF	Normal Operations
Function	ON	RSSI Measurements

Battery Mode is a low current default that extends battery life to its maximum in accordance with UL requirements. In this mode, the amp-hour rating of the battery is approximately equivalent to the number of days that the unit will operate in standby before the battery is depleted, assuming that an active phone line has been plugged into the unit. (E.G. a 1.4 AH battery will operate the unit on standby for approximately 1.4 days.)

Sometimes it is convenient to allow full power operation while on Battery (such as finding the optimum location to install using the RSSI function). S3 will allow the user to override the battery mode. This switch must be returned to the OFF position for normal operation, and for a proper UL installation.

C. LEDs

Normal Mode: Upon initial power up, the 5 LEDs on The 2550-CF will begin to function as follows:

LED	LED STATUS	LED MEANING
POWER LED	(#1)	
OFF		No AC power is present
GREEN	On	AC Power is present
	Flashing	Operating on Battery power only (all other LEDs are disabled)
RED	Flashing	Operating on AC power and no battery is connected or the battery voltage is lower than 10.2 V OR Operating on battery power only and the battery voltage is less than 10.2V (all other LEDs are disabled).

TELCO LED (#2)

OFF

Phone line is not monitored

GREEN

On

Phone line is OK (Telco primary mode), Panel or Extension is on-hook

Flashing

Panel or Extension Line is off-hook

RED

On

Phone line Trouble Condition

TROUBLE LED (#3)

Green

On

All 3 Output Relays Normal

Red

On

One or more Output Relay Off-Normal

GSM COMM LED (#4)

Green

On

Unit registered on the network

Flashing

Waiting for an ACK from the Central Station

Red

On

Unit not registered or No Cellular Network

HEARTBEAT LED (#5)

Green

Flashing

Unit is functioning normally

Red

Flashing

S1 is ON after reset

RSSI Mode: When the 2550-CF is placed in Received Signal Strength Indicator (RSSI) Mode by turning Dipswitch S4 to ON, the five LEDs indicate the follow signal strength information:

Received Signal Strength

Appearance of LEDs (#1 thru #5)

≥ -40 dBm

●●●●●

#1: **green, solid**; #2: **green, solid**;
#3: **green, solid**; #4: **green, solid**;
#5: **green, solid**

≥ -50 dBm

○●●●●

#1: off; #2: **green, solid**; #3: **green, solid**;
#4: **green, solid**; #5: **green, solid**

≥ -60 dBm

○○●●●

#1: off; #2: off; #3: **green, solid**;
#4: **green, solid**; #5: **green, solid**

≥ -70 dBm

○○○●●

#1: off; #2: off; #3: off; #4: **green, solid**;
#5: **green, solid**

≥ -80 dBm	○ ○ ○ ○ ● #1: off; #2: off; #3: off; #4: off; #5: green, solid
≥ -90 dBm	○ ○ ○ ○ ☀ #1: off; #2: off; #3: off; #4: off; #5: green, flash
≥ -110 dBm	○ ○ ○ ○ ● #1: off; #2: off; #3: off; #4: off; #5: red, solid
≤ -111 dBm	○ ○ ○ ○ ☀ #1: off; #2: off; #3: off; #4: off; #5: red, flash
No signal	○ ○ ○ ○ ○ All OFF

D. Locating and Installing the 2550-CF

The Model 2550-CF unit comes in a metal enclosure. The installer needs to supply the unit's 16.5 VAC – 40VA transformer (Recommended Transformers: Ademco 1361, MG Electronics Model MGT1640 or equivalent) and a 5 AH backup battery (Recommended Battery: Powersonic PS-1250F1 or equivalent)

After carefully considering all issues outlined in Section B (General Considerations), proceed as follows:

1. Open the enclosure's door. Locate the four (4) mounting holes. Use the enclosure as a template to mark where to drill holes for the screws and anchors that will hold the enclosure in place on the wall.
2. Connect the supplied with the 2550-CF. The Antenna supplied may differ from the ones depicted in the figures in this manual.
3. Go to the red, 4-position Dipswitch as shown in Figure 1 and set the dipswitch as appropriate for this installation. (See Section 7B.)
4. Place Dipswitch #4 (S4) in the ON position. The LEDs are now operating in RSSI Mode. Locate a good mounting position based on a good Received Signal Strength Indication (RSSI). **It is recommended that the installation location demonstrate an RSSI of at least -60 dBm (3 solid green LEDs).** The minimum acceptable RSSI is -80 dBm (1 solid green LED). If the minimum acceptable RSSI cannot be achieved with the supplied antenna at the installation location, contact customer service.

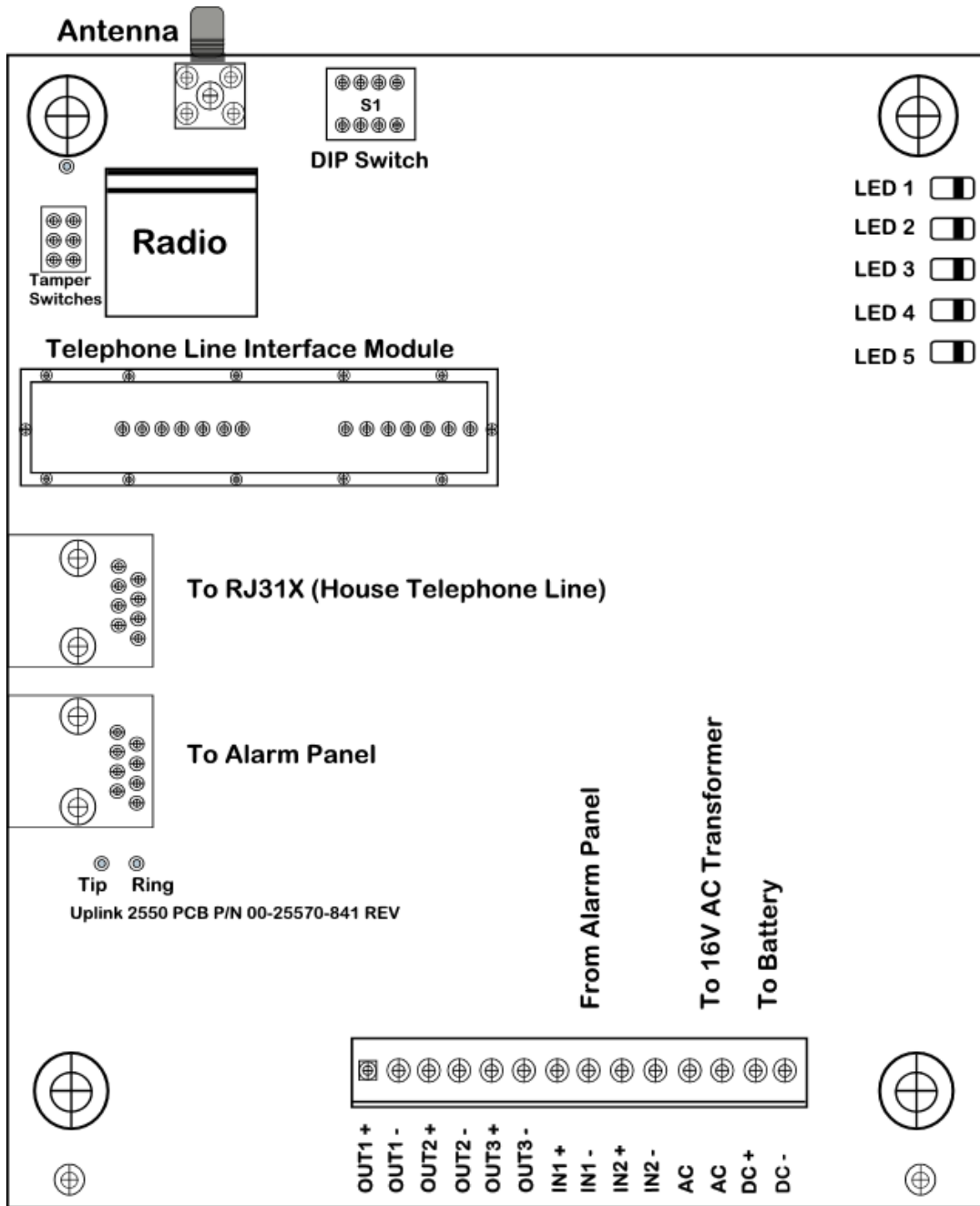


Figure 1: Parts on the 2550-CF PC Board

Position the bottom of the 2550-CF enclosure where it will be installed. Use four (4) #6 screws and mount the unit using the four holes in the enclosure's plastic bottom. The 2550-CF unit's dimensions are shown in Figure 2.

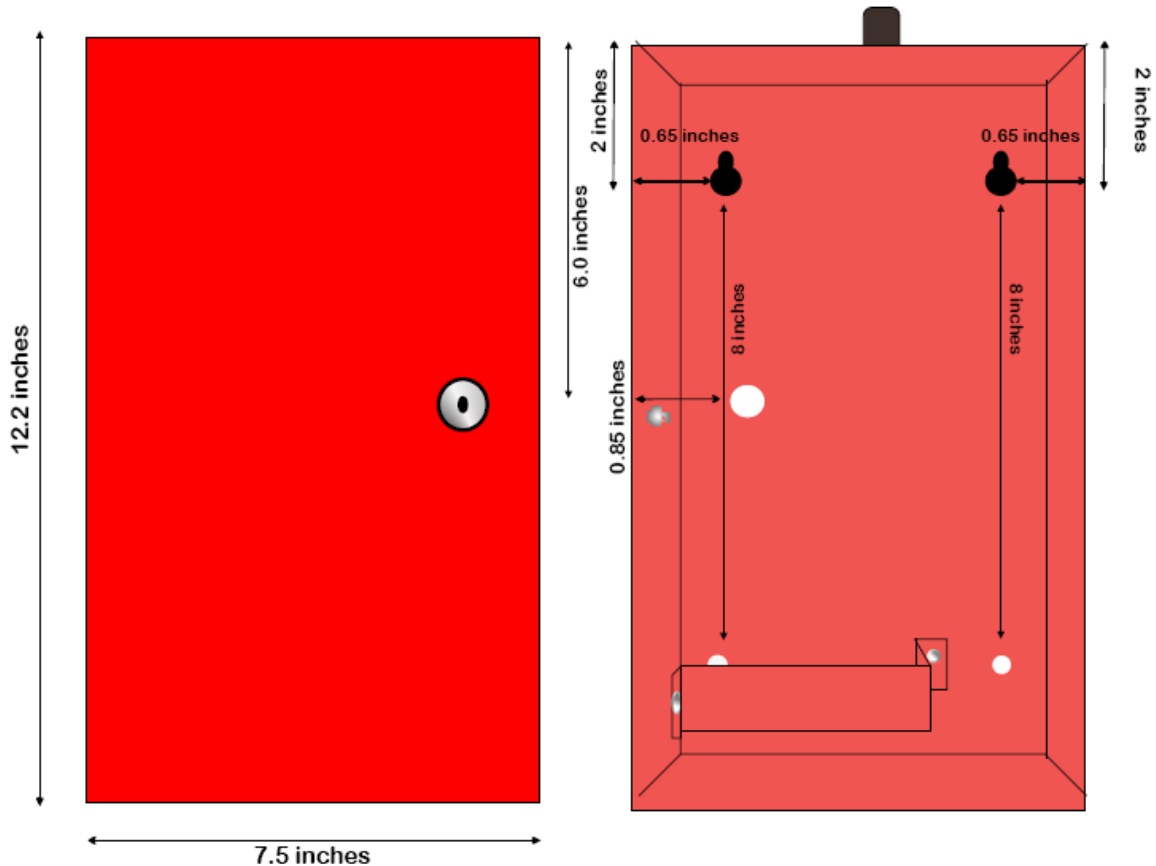


Figure 2: Inside & Outside Mounting Dimensions for the 2550-CF

5. Place the backup battery into its location in the bottom of the enclosure. Secure the battery in place using the metal battery bracket and screws provided.
6. Connect the positive (+) and negative (-) terminals of the battery to terminals 13 (DC+) and 14 (DC -) respectively on the 2550-CF JP10 terminal strip. Use 18 to 14 gauge wire copper insulated wire.
7. Connect the wires from the 120 to 16.5 VAC, 40 VA transformer to terminal strip positions 11 and 12 (designated as "AC") on the unit's JP10 terminal strip. Plug the transformer into a 120 VAC non-switched outlet. Use 18 to 14 gauge copper insulated wire for wire lengths of 10 to 25 feet respectively. See the UL compliance sections for additional details.

Caution: Incorrect Connections May result in Damage to the Unit

8. Double check to make sure that the RSSI is still showing a good signal strength level.
9. Connect the unit's tamper switches. For a single tamper switch, connect the switch plug to the top of the left-most column of JP13. For a dual tamper switch installation, connect the tamper switch plugs to the top and bottom rows of JP13
10. Before connecting the alarm panel and the 2550-CF, first:
 - a. Return Dipswitch #4 (S4) to the OFF position.
 - b. Disconnect the AC transformer from its power outlet.
 - c. Disconnect the Positive and Negative connections to the battery.

E. Connecting The 2550-CF to the Alarm Panel and Telephone Jack

IMPORTANT: Make all connections to the 2550-CF in the powered down state. Once all connections have been established, turn power on.

1. First, remove AC and battery power from the 2550-CF, then proceed as follows:
2. Dialer & Telco Connections.
 - a. Use the dual modular plug telephone cable provided with the 2550-CF to connect it to the premises' RJ31X jack. On the 2550-CF's side, one end of the cable should be plugged into Jack JP4 (the Jack closer to the Antenna). The other end of the cable should be plugged into the RJ31X unit's modular jack.
 - b. Connect the alarm panel's telephone output to the 2550-CF with an appropriate cable. On the 2550-CF's side, the cable should use an RJ45 plug and be connected into Jack JP3 (the Jack closer to the Terminal Strip).

Warning: High Voltage Present at Phone Lines. Disconnect Prior to Servicing.

3. Inputs

The 2550-CF has two EOLR supervised inputs that report to the central station when activated. These inputs are disabled in the default state and must be enabled via the Dealer Web Site. The EOL resistors should be 2.2 kohms.

Connect activation devices into terminal strip JP10, terminals 7 (IN 1+) and 8 (IN 1-) for Input 1, and terminals 9 (IN 2+) and 10 (IN 2-) for Input 2 as needed. Both inputs are Normally Open.

Note: It is recommended that Input 1 be used as a “Summary Alarm” input from the alarm panel if the panel is capable of providing such an output. This will provide the system with additional protection by reporting an alarm to the central station in the unlikely event that the Telephone Line Supervision Circuit has been circumvented by a perpetrator.

4. Outputs

The 2550-CF has three relay outputs that can be used to activate inputs on the alarm panel or for other local purposes. Decide on how to use these outputs, then wire them to terminal strip JP10 as follows:

Output #1	Terminals 1 (OUT 1+) and 2 (OUT 1-)
Output #2	Terminals 3 (OUT 2+) and 4 (OUT 2-)
Output #3	Terminals 5 (OUT 3+) and 6 (OUT 3-)

The default states for these 3 Outputs are as follows:

Output	Default State	Default Definition
#1	Energized closed (N.O.)	Loss of cellular service
#2	Energized closed (N.O.)	Failure to receive ACK from Central Station
#3	Energized open (N.C.)	Total failure of Model 2550-CF

See Figure 3 as an example of how to connect the 2550-CF to the alarm panel and the telephone line.

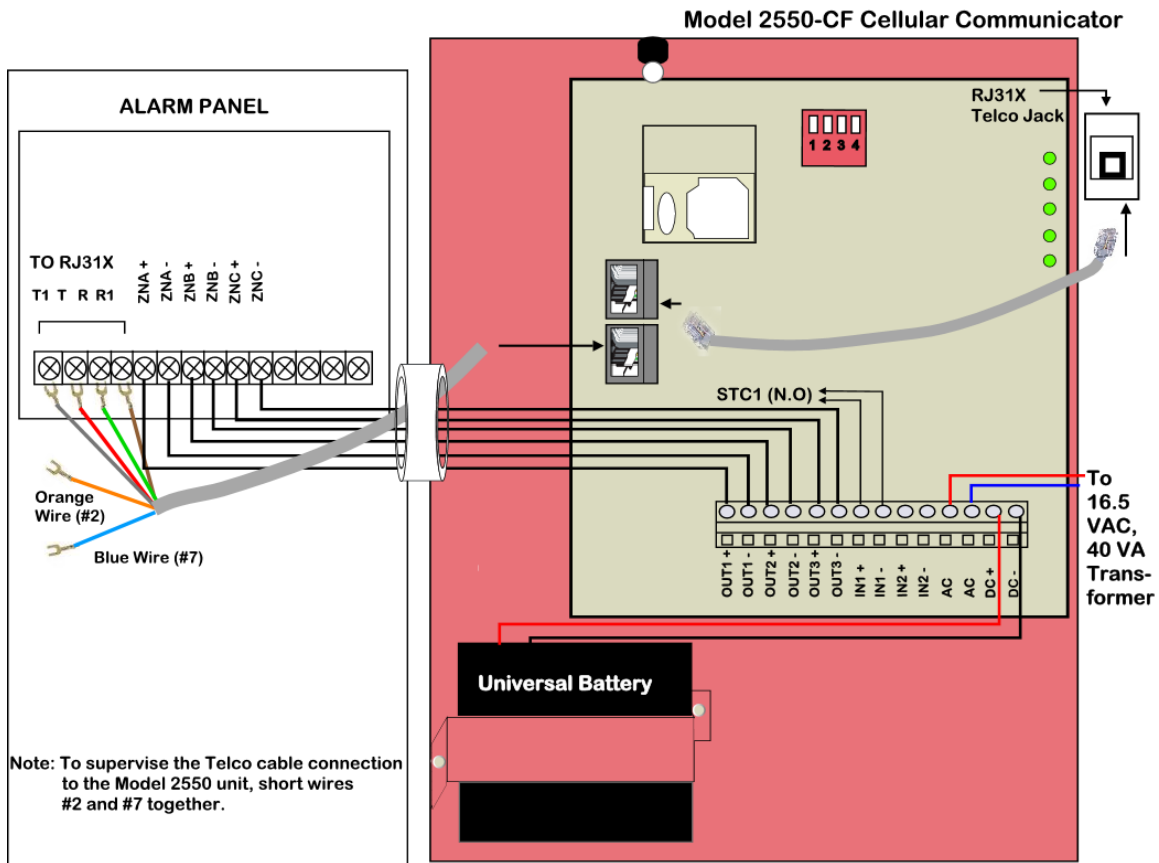


Figure 3: Example Connections Between the 2550-CF and the Alarm Panel. Refer to Section 8 for specific UL wiring requirements and installation notes.

F. Activating The 2550-CF Unit

The 2550-CF is programmed OTA (Over-the-Air) by accessing the Uplink Dealer web site or by calling Uplink Customer Service at 1-888-987-5465.

New Dealer 2550-CF Activation:

For new dealers/customers, establish an account with Uplink by visiting the Numerex/Uplink web site (www.uplink.com).

- a. Click on Set up a new account .
- b. Read the UPLINK Security Inc. Dealer Agreement, then click on Accept Agreement.
- c. A box will appear saying “You hereby accept the Uplink Security Dealer Agreement?” Click on OK.
- d. A box will appear saying “If you want monthly service billed to a 3rd party such as a central monitoring station then you should NOT request an account – please contact Uplink Sales at 888-987-5465.” Click OK.

- e. At this point there will be a screen entitled “Step 2. Rapid Signup – please provide Login & Contact Information”. Fill out this form, then click Sign Up.
- f. Go back to the Login page and use the newly created Login Name and Password to sign into the web site. **Wait about 20 seconds for the next web page to completely install.**
- g. Go to Configure.
- h. Go to Activate Unit.
- i. Put in the Unit Serial #.
- j. Choose a Service Plan.
- k. Choose an Activation Type.
- l. Click on Activate Unit.
- m. Now see “Model 2550 Serial # <ten digit number> _successfully activated → Click here to configure unit”.
- n. Click on Click here to configure unit.
- o. There will now be a page entitled “Send MT – Model 2550”. Fill in all of the options, then click on Send All.

Existing Dealer 2550-CF Activation:

For dealers/customers who already have an account with Uplink, go to the Numerex/Uplink web site (www.uplink.com).

- a. Enter the Login Name and Password. **Wait about 20 seconds for the next web page to completely install.**
- b. Go to Configure.
- c. Go to Activate Unit.
- d. Put in the Unit Serial #.
- e. Choose a Service Plan.
- f. Choose an Activation Type.
- g. Click on Activate Unit.
- h. Now see “Model 2550 Serial #<ten digit number> _successfully activated → Click here to configure unit”.
- i. Click on Click here to configure unit.
- j. There will now be a page entitled “Send MT – Model 2550”. Fill in all of the options, and then click on Send All.

G. Programming and Central Station Reporting

Programming requires the telephone number of the monitoring central station’s alarm receiver and/or its IP address and Port number. Determine whether to use the default settings for the events to be reported customize them by completing the following:

Use this web site to program:

- a. Whether alarms will be sent to the central station via an IP connection or

- via a telephone dialer
- b. The telephone number or IP address and Port number of the central station receiver where all of the signals should be sent
 - c. The account number to be sent to the central station for events generated by the 2550-CF
 - d. What event codes should be sent for the 2 Inputs/zones (for both the normal and alarm states)
 - e. What event codes should be sent for Low Battery and Low Battery Restoral
 - f. Whether alarm events should also be sent to an email account, and the email account's address

The following parameters can be configured from the Dealer Web Site;

1. Dialer Intercept Mode Status (Default = Intercept determined by Line Monitor)

The 2550-CF normally uses its built-in Telephone Line Monitoring circuit to determine whether the unit should intercept the alarm panel's digital dialer or leave it connected to the premises telephone line. However, the unit can be programmed to permanently intercept the panel's dialer (RF Only Mode) or never intercept the panel's dialer from the Dealer Web Site.

2. Automated and On Demand Test Signals (Default = Weekly)

The Automated Test signal interval can be changed to Daily or Weekly from the Dealer Web Site. In addition, an immediate test signal can be generated.

3. Activate/Deactivate Output Relays

Output relays #1, #2 and #3 can be activated or deactivated from the Dealer Web Site. This feature allows immediate testing of the correct operation of these outputs when connected to the alarm panel.

4. Normal State of Output Relays (Default = #1 Closed, #2 Closed, #3 Open)

The normal state of each of the three Output Relays can be changed from the Dealer Web Site.

5. Normal State of Inputs (Default = #1 N.O., reports Alarms & Troubles, #2 N.O., reports Alarms & Troubles)

The normal state of each of the two Inputs can be programmed from the Dealer Web Site as Normally Open/Normally Closed, and whether the unit will send Alarms and Troubles, or Alarms only.

6. Definition of Output Relays (Default = #1 Loss of Cellular Service, #2 Central Station ACK Failure, #3 Total Unit Failure)

There are 11 Trouble states that be declared by the 2550-CF, and each of these states can be programmed from the Dealer Web Site to activate one of the three Output Relays. The 11 Trouble states are:

- AC Power Loss
- Low Battery

- Telco Trouble
- Cable Supervision Trouble (Panel to Model 2550-CF)
- Loss of Cellular Service
- Model 2550-CF Unit Disabled (via Web Site command)
- Failure to receive ACK from Central Station
- Watchdog Circuit Trouble
- Input 1 Off-Normal
- Input 2 Off-Normal
- Total Unit Failure (defined as Loss of AC power and battery voltage below 8.0 volts)

7. Send Trouble Condition to Central Station (Default = Low Battery and Telco Trouble only)

Any or all of the Trouble Conditions detectable by the 2550-CF can be programmed to report that condition (and its Restoral) to the monitoring Central Station.

See **Appendix A** for a list of Contact ID format and SIA format event codes *generated by the 2550-CF* that can be sent to the central station receiver.

See **Appendix B** for a list of the default event codes *transmitted by the 2550-CF*.

H. Default Event/Email Messages

Email and Text Messaging will only be available for Status events (e.g., Low Battery, Test, etc.) and state transitions on the 2 Inputs of the 2550-CF. Events transmitted from the premises alarm panel via the 2550-CF's dialer capture function will not be sent out by email or text messaging.

The information sent to the programmed email address(es) will be the raw Contact ID or SIA Event Code data plus the Zone number.

I. Completing the Installation and Testing

Once the physical installation is completed, the unit is activated from the Dealer Web Site, and programming changes are made, test the 2550-CF along with the alarm panel to ensure everything is functioning properly.

Test the following:

- a. Check to see that all 5 LEDs are **green**. The first 4 LEDs should be solid green, and the 5th LED should be flashing green.

- b. Disconnect the Telco Line, wait the appropriate period of time, then check to see that 1) the Telco LED has turned **solid red**, and b) a Telco Trouble condition has been reported to the monitoring central station (if this feature is active).
- c. With the Telco Line still disconnected, trip an alarm on the alarm panel. Check that the 2550-CF has correctly intercepted the panel's digital dialer output and reported the event to the central monitoring station.
- d. If using one or both of the inputs on the 2550-CF, check to ensure both are properly activated and report to the central station.
- e. If using one or more of the Output Relays on the 2550-CF, reconnect the Telco Line, then go back to the Dealer Web Site and use the Switch Output Relay command to test each relay. Make sure the alarm panel properly detects the relay's change of state and reports the proper event to the central station.
- f. Remove AC power and Battery Power from the 2550-CF, then trip an alarm on the alarm panel. Confirm the panel's digital dialer properly sends this event to the central station.

8. UL COMPLIANCE SECTION –Installation Recommendations

For installations which are intended to meet UL certification requirements, the following items must be adhered to during the installation for each stated certificate category. The Installation and Wiring requirements are in accordance with the National Electrical Code, NFPA/70.

Commercial Fire (UL 864 - Category UOJZ)

1. The Model 2550-CF unit must be connected to an alarm panel that also holds a current UL 864 Listing.
2. Installation of the UL Listed alarm panel must be in accordance with the manufacturer's written UL Compliance rules for the type of UL certificate to be achieved. This applies to both the physical installation requirements and the unit's programming requirements.
3. Power to the Model 2550-CF unit must be supplied from a 16.5 VAC – 40 VA UL Listed wall transformer. (Recommended transformers: Ademco 1361, MG Electronics Model MGT1640 or equivalent)
4. The AC transformer must be plugged into an un-switched outlet.
5. Use a UL-Listed 5.0 Ampere hour rated sealed lead-acid or gel cell type rechargeable battery with the Model 2550-CF unit. (Recommended Battery: Powersonic PS-1250-F1 or equivalent). All Batteries must be installed and replaced by qualified personnel.
6. The Model 2550-CF unit must be located within 20 feet of the alarm panel.
7. The wiring between the Model 2550-CF unit and the alarm panel must be in conduit.
8. All power-limited wiring must be secured a minimum of ¼ inch away from all non-power-limited high voltage wiring, and all non-power-limited high voltage wiring must be routed through a different conduit than any of the power-limited wiring or cable.
9. To obtain a Commercial Fire certificate, both the alarm panel's DACT and the Model 2550-CF unit must be used for alarm communications to the central monitoring station's UL Listed digital alarm receiver.
10. The telephone line connected to the RJ31X jack cannot be connected to a PBX system.

11. The Model 2550-CF unit must be programmed to send a Test signal to the central station a minimum of once every 24 hours.

12. The Model 2550-CF Output Relay #1 must be programmed for Loss of Cellular Service (i.e., Network Trouble Supervision), must be connected to a reporting zone on the alarm panel, and the zone must be set up as closed in the normal state and open in the off-normal state . Activation of this zone must annunciate locally. Furthermore, the Loss of Cellular Service must be programmed, via the web-site, to annunciate locally within 2 minutes.

13. The Model 2550-CF Output Relay #2 must be programmed for Failure to Receive ACK from the Central Station (i.e., Communications Failure), must be connected to a reporting zone on the alarm panel, and the zone must be set up as closed in the normal state and open in the off-normal state. Activation of this zone must annunciate locally.

14. If the antenna which protrudes through the Model 2550-CF's enclosure is used, then the area where the unit is installed must be protected by a motion detector which is wired back to Input No. 2 on the Model 2550-CF terminal strip. This input must be programmed as an instant activation, 24 hour reporting zone. Alternatively, if a remote antenna is employed, then the coaxial cable must be either in flexible or rigid conduit as it leaves the Model 2550-CF's enclosure, or concealed with the wall that the Model 2550-CF unit is attached to.

15. All connections to the base terminal block must be made with stranded copper insulated wires using the wire gauge and length recommendations below:

<u>Recommended Wire Size</u>	<u>Maximum Length</u>
18 gauge	20 ft
16 gauge	40 ft
14 gauge	60 ft

16. All connections to U/L Batteries must be made with stranded copper insulated wires using the wire gauge and length recommendations in the proceeding instruction. Additionally, connections to the battery shall be made with insulated terminal connectors with a current rating of 2A or greater. All Batteries must be installed and replaced by qualified personnel.

17. The 2550-CF has two EOLR supervised inputs that report to the central station when activated. These inputs are disabled in the default state and must be enabled via the Dealer Web Site. If EOL resistors are used they must be 2.2 kohms, rated at 1/6 W or greater, carbon film, through-hole resistors with insulated leads. Additionally, the resistor(s) must be fastened securely to the appropriate input, with no means to open circuit, short to an adjacent circuit or cause a risk of electric shock.

18. This product incorporates field-programmable software which can be changed over the GSM Wireless connection. In order for the product to comply with the requirements in the Standard for Control Units and Accessories for Fire Alarm Systems, UL 864, certain programming features or options must be limited to specific values.

The list of possible modifiable configuration options, as well as the proper settings to maintain UL 864 Compliance, is listed in **Appendix C: Web-configurable parameters for UL compliance**.

9. Specifications

Panel to Model 2550-CF Interface

- Line Voltage	48 VDC On-Hook
- Dial tone	350 + 440 Hz +/- 0.2%
- Distortion	All tones less than 2.0%
- DTMF twist accuracy	+/- 1 dB
- Panel tones	+/- 0.2%
- Receive level minimum	- 45 dBm
- Receive S/N minimum	20 dB
- Line impedance	600 ohms
- Ringer Equivalence	0.3 REN
- Mode	Loop start. 26 mA typical

Output Specifications

- Number and Type	3 Zone, All Programmable
- Voltage	5V
- Max Current	120 mA
- Max Frequency	800 Hz
- Power Dissipation	400 mW

Input Specifications

- Number and Type	2 Supervised, All Programmable
- Voltage range	3.3V, protected to 15v
- Max Current	1mA
- Max Frequency	20 KHz

Phone Line Monitor

- On-Hook voltage	8 - 50 VDC
- Off-Hook current	≥ 10.0 mA

Power

- AC Supply	16 V 40VA
- Normal Current (On Hook)	125 mA
- Maximum Current (Off Hook)	600 mA
- Battery standby current	20 mA
- Battery	12V, 5.0 AH
- Battery Charging System	Pulsed width modulated constant voltage. Electronic short circuit protection, Thermal protection
- Maximum Battery charging current	400 mA for 1.4aH battery. 700 mA for 5.0aH battery
- Maximum full charge DC voltage	13.6V +/- 0.2V
- Maximum Ripple	20mV
- Battery Operating Temperature Range	-20° to +50° C

Radio

- Frequencies	850/900/1800/1900
- Avg. Current	215-250 mA
- Peak Current	1.3 – 1.5 A
- DC Voltage	3.3- 4.5 V D.C.

- Sensitivity	-106 dB (typical)
Environmental	
- Temperature Range	-30° to +70° C
- Humidity	0 to 95% non-condensing
Physical	
- Height	12.2 inches
- Width	7.5 inches
- Depth	3.9 inches
- Weight	7 pounds, 12 ounces (with battery)

Appendix A: Contact ID and SIA Event Codes

Following is a list of event codes that can be sent to the central station receiver for events generated by the AnyNET module and the 2550-CF unit:

<i>EVENT DESCRIPTION</i>	<i>CONTACT ID EVENT CODE</i>	<i>SIA DC-03 EVENT CODE</i>
AC Fail	E301	AT
AC Restoral	R301	AR
Alarm (generic)	E140	UA
Burglary Alarm	E130	BA
Burglary Restoral	R130	BR
Burglary Tamper	E137	TA
Burglary Tamper Restoral	R137	TR
Closing	R400	CL
Fire Alarm	E110	FA
Fire Restoral	R110	FR
Fire Supervisory	E200	FS
Fire Supervisory Restoral	R200	FJ
High Temperature	E158	KA
High Temperature Restoral	R158	KR
Holdup Alarm	E122	HA
Holdup Restoral	R122	HR
Low Battery	E302	YT
Low Battery Restoral	R302	YR
Low Temperature	E159	ZA
Low Temperature Restoral	R159	ZR
Medical Alarm	E100	MA
Medical Restoral	R100	MR
Opening	E400	OP
Panic Alarm	E120	PA
Panic Restoral	R120	PR
Phone Fail	E350	LT
Phone Restoral	R350	LR
Radio Supervision Lost	E355	YC
Radio Supervision Restoral	R355	YK
Restoral (generic)	R140	UR
Service Completed	R616	YZ
Service Required	E616	YX
Telco Line Fail	E350	LT
Telco Line Restoral	R350	LR
Test	E602	TX
Trouble (generic)	E300	UT
Trouble Restoral (generic)	R300	UR
Trouble, System Peripheral	E330	ET
Trouble Restoral, System Peripheral	R330	ER

Appendix B: Model 2550-CF Default Event Codes

The 2550-CF is defaulted to send both the Alarm/Trouble condition the Restoral condition for all of the events listed below. Reporting individual events can be controlled from the Dealer Web Site.

Following is a list of the default event codes sent by the 2550-CF:

<i>EVENT DESCRIPTION</i>	<i>CONTACT ID EVENT CODE</i>	<i>SIA DC-03 EVENT CODE</i>	<i>ZONE No. REPORTED</i>
AC Loss	E301	AT	239
AC Restoral	R301	AR	239
Low Battery	E302	YT	240
Low Battery Restoral	R302	YR	240
Telco Trouble	E351	LT	241
Telco Restoral	R351	LR	241
Cable Supervision Trouble	E616	YX	242
Cable Supervision Restoral	R616	YZ	242
Cellular Service Loss	E355	YC	243
Cellular Service Restoral	R355	YK	243
Enclosure Tamper Trouble	E137	TA	244
Enclosure Tamper Restoral	R137	TR	244
Model 2550-CF Unit Disabled	E616	YX	245
Model 2550-CF Unit Restoral	R616	YZ	245
Watchdog Circuit Trouble	E616	YX	246
Watchdog Circuit Restoral	R616	YZ	246
Input 1 Alarm	E140	UA	247
Input 1 Normal	R140	UR	247
Input 2 Alarm	E140	UA	248
Input 2 Normal	R140	UR	248
Test	E602	TX	000

Appendix C: Web-configurable parameters for UL 864 compliance.

The 2550-CF is configurable so that all web-configurable parameters can be in compliance with UL 864. However, it may be possible to issue an MT command and change a configuration parameter such that the 2550-CF is no longer compliant with UL 864. To prevent such an occurrence, this table of all web-based MT commands is provided, along with all the selectable options, whether or not the command or configuration has a specific UL 864 requirement (As well as the default settings for each configuration options), and finally, the UL 864 requirement level (N/A = Not applicable/No Requirement, Yes = Minimum setting under UL 864, Optional = Alternate setting allowed under UL 864, No = Not allowed under UL 864)

Command or Configuration	Selectable Options	U/L 864 requirement	U/L 864 requirement level
Informational		No	
	Get Status		N/A
	Get Map Settings		N/A
	Get Timer Settings		N/A
Resets & Clears		No	
	Reset Alarm Counter		N/A
	Reset Flash Re-write Counter		N/A
	Clear Flash Configuration & Reload Defaults		N/A
	Reset Hardware		N/A
Dialer Protocol Type		No	
	Using S1-1	Default	N/A
	Contact ID		N/A
	SIA		N/A
Intercept Mode		Yes	
	Intercept Per Telco Monitor Status	Default	Yes
	Never Intercept Telco Line		Optional
	Permanently Intercept Telco Line (must disconnect telco RJ cord from 2550)		No
Telco Monitor Threshold Voltage		No	
	8		N/A
	18	Default	N/A
	28		N/A
	38		N/A
	48		N/A
# Of Consistent 10 Second Samples Before Telco State Accepted		No	
	1		N/A
	2	Default	N/A
	3		N/A

	4		N/A
	5		N/A
Switch Output Relay		No	
	Open 1		N/A
	Close 1		N/A
	Open 2		N/A
	Close 2		N/A
	Open 3		N/A
	Close 3		N/A
Normal State Of Output Relay		No	
	1 Open		N/A
	1 Closed	Default	N/A
	2 Open		N/A
	2 Closed	Default	N/A
	3 Open	Default	N/A
	3 Closed		N/A
Return Output Relay To Normal		No	
	1		N/A
	2		N/A
	3		N/A
Configure Inputs		No	
	Input 1 Normally Open, Report Alarms		N/A
	Input 1 Normally Open, Report Alarms & Troubles	Default	N/A
	Input 1 Normally Closed, Report Alarms		N/A
	Input 1 Normally Closed, Report Alarms & Troubles		N/A
	Input 2 Normally Open, Report Alarms		N/A
	Input 2 Normally Open, Report Alarms & Troubles	Default	N/A
	Input 2 Normally Closed, Report Alarms		N/A
	Input 2 Normally Closed, Report Alarms & Troubles		N/A
Radio Reset On Consecutive SMS Transmit Errors		No	
	None		N/A
	2		N/A
	4		N/A
	6	Default	N/A
	8		N/A
Radio Reset On Period Of SMS Inactivity		No	
	None		N/A
	60 Minutes	Default	N/A
	120 Minutes		N/A
	240 Minutes		N/A
SMS Transmit Attempts		No	
	1		N/A
	2		N/A
	4		N/A

	8	Default	N/A
Periodic & On Demand Tests		Yes	
	None		No
	Daily		Yes
	Weekly	Default	No
	Monthly		No
	Send Test Event Now		N/A
General Enables & Disables		Yes	
	Never Report Captured Events		No
	Always Report Captured Events	Default	Yes
	Disable Unit		No
	Enable Unit	Default	Yes
Time Delay Between AC Loss And Turning On Of Mapped Output		Yes	
	5 Minutes		Optional
	10 Minutes	Default	Optional
	30 Minutes		Optional
	60 Minutes		Yes
Time Delay Between Telco Loss And Turning On Of Mapped Output		No	
	30 Seconds		N/A
	60 Seconds	Default	N/A
	120 Seconds		N/A
	240 Seconds		N/A
	600 Seconds		N/A
Time Delay Between Cellular Service Loss And Turning On Of Mapped Output		Yes	
	1 Minute		Optional
	2 Minutes		Yes!
	4 Minutes		No
	10 Minutes	Default	No
Time To Wait For ACK From CS		N/A	
	60 Seconds		N/A
	90 Seconds		N/A
	120 Seconds		N/A
	150 Seconds	Default	N/A
Specific Event Reporting Enables & Disables (This only controls transmissions from the 2550)		Yes	
	Undefined		N/A
	AC Loss/AC Restoral		Yes
	Low Battery/Battery Restoral	Default	Yes
	Telco Loss/Telco Restoral	Default	Yes
	Panel Cable Supervision Trouble/Panel Cable Supervision Restoral		Optional
	Cellular Service Loss/Cellular Service Restoral		Optional
	Undefined		N/A

	Enclosure Tamper Trouble/Enclosure Tamper Restoral		Optional
	Unit Disabled/Unit Re-enabled		
	Reserved		N/A
	Watchdog Trouble/Watchdog Restoral		Optional
	Reserved		N/A
	Input 1 Event/Input 1 Event Restoral		Optional
	Input 2 Event/Input 2 Event Restoral		Optional
	Undefined		N/A
	Undefined		N/A
Output Relay 1 Mapping		Yes (Note 1)	
	Undefined		N/A
	AC Loss		Optional
	Low Battery		Optional
	Telco Loss		Optional
	Panel Cable Supervision Trouble		Optional
	Cellular Service Loss	Default	Optional
	Undefined		N/A
	Enclosure Tamper Trouble		Optional
	Unit Disabled		Optional
	SMS Transmit Attempts Exhausted Without CS ACK		Optional
	Watchdog Trouble		Optional
	Total Failure		Optional
	Input 1 Event		Optional
	Input 2 Event		Optional
	Undefined		N/A
	Undefined		N/A
Output Relay 2 Mapping		Yes (Note 1)	
	Undefined		N/A
	AC Loss		Optional
	Low Battery		Optional
	Telco Loss		Optional
	Panel Cable Supervision Trouble		Optional
	Cellular Service Loss		Optional
	Undefined		N/A
	Enclosure Tamper Trouble		Optional
	Unit Disabled		Optional
	SMS Transmit Attempts Exhausted Without CS ACK	Default	Optional
	Watchdog Trouble		Optional
	Total Failure		Optional

	Input 1 Event		Optional
	Input 2 Event		Optional
	Undefined		N/A
	Undefined		N/A
Output Relay 3 Mapping		Yes (Note 1)	
	Undefined		N/A
	AC Loss		Optional
	Low Battery		Optional
	Telco Loss		Optional
	Panel Cable Supervision Trouble		Optional
	Cellular Service Loss		Optional
	Undefined		N/A
	Enclosure Tamper Trouble		Optional
	Unit Disabled		Optional
	SMS Transmit Attempts Exhausted Without CS ACK		Optional
	Watchdog Trouble		Optional
	Total Failure	Default	Optional
	Input 1 Event		Optional
	Input 2 Event		Optional
	Undefined		N/A
	Undefined		N/A

Note 1: AC Loss, Failure to Receive ACK from the Central Station and Loss of Cellular Service (i.e., Network Trouble Supervision) must be mapped to a local output.

**UPLINK MODEL 2550-CF GSM ALARM COMMUNICATOR
INSTALLATION, OPERATION AND PROGRAMMING GUIDE**

Dated 05/11/2009
© 2009 by Uplink
Guide 00-25580-842 (rev D)

No part of this publication may be reproduced or used in any form without permission in writing from Uplink. This includes electronic or mechanical means, such as photocopying, recording, or information storage and retrieval systems. The material in this manual is subject to change without notice.

Uplink reserves the right to make changes to any software or product to improve reliability, function or design.

Uplink is a trade mark of Uplink Security, LLC. Other product names mentioned in this manual may be trademarks or registered trademarks of their respective companies and are hereby acknowledged.

Uplink[™]

1600 Parkwood Circle, 5th Floor
Atlanta, Georgia 30339
888-987-5465 (888-9-UPLINK)

www.uplink.com