

D202A



Security Systems

EN | Installation Instructions
Keypad

BOSCH

1.0 Specifications

Table 1: Specifications

Operating Voltage	Nominal 12 VDC supplied by the control/communicator.
Current Required	Idle: 45 mA Alarm: 125 mA
Wiring	Three conductor flying lead (+12 VDC, Common, Data).

2.0 Installation

To install the D202A Keypad:

1. First, remove the back by depressing the tab at the bottom of the keypad with a coin (nickels are too wide). See *Figure 1*.

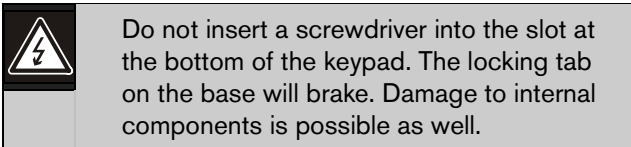
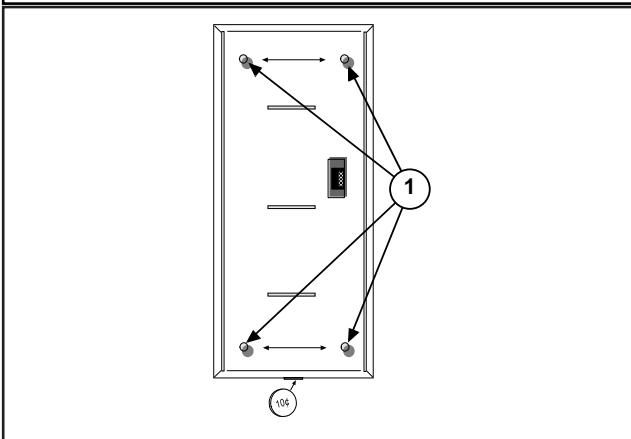


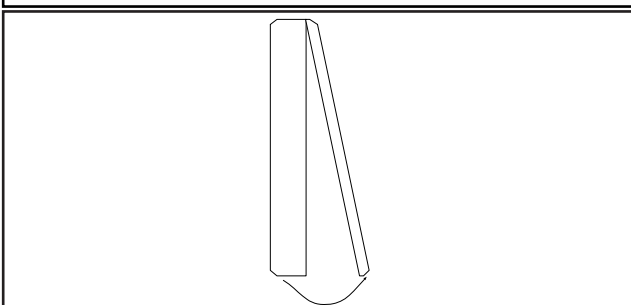
Figure 1: Remove Back



1 - Mounting holes

2. Swing the back out and drop it down (see *Figure 2*).

Figure 2: Swing Out Back



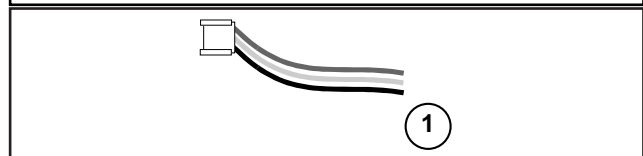
3. Splice flying leads from the connector to the wire from the panel (see *Figure 3*):

Green to Terminal 8, Data

Red to Terminal 9, Aux Pwr

Black to Terminal 10, Common

Figure 3: Splice Flying Leads

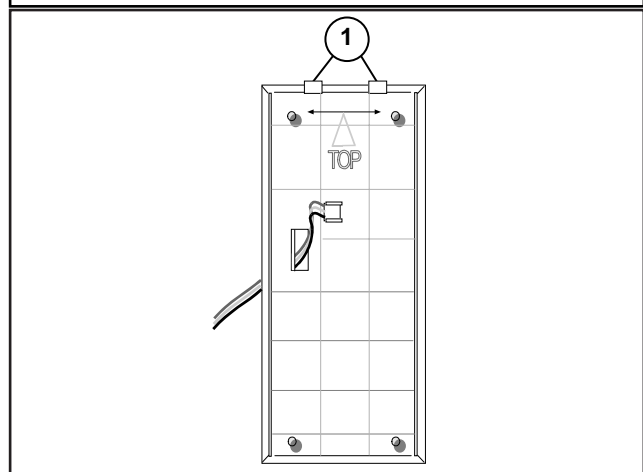


1 - To panel

4. Using the four mounting holes, feed the wire through the base and attach it to the wall (see *Figure 4*). **Do not** overtighten the screws.

If mounting the keypad over a single gang box, only use the holes in the center of the keypad base to align the keypad over the box. Use the four mounting holes at the corner of the base to secure the keypad to the wall.

Figure 4: Feed Wire



1 - Mounting holes

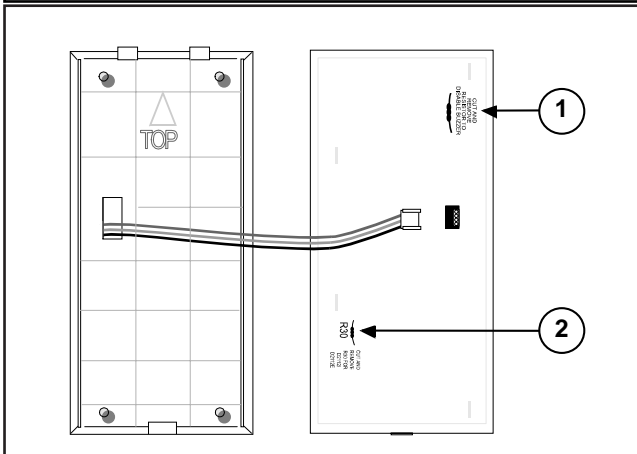
5. To use the keypad with the D2112/D2112E, cut and remove the R30 resistor.

To use with the D2212, leave the resistor in.

To disable the keypad buzzer for all functions, cut and remove the resistor on the back of the circuit board. Other keypads connected to the panel are not affected.

Plug the connector into the D202A. See *Figure 5*.

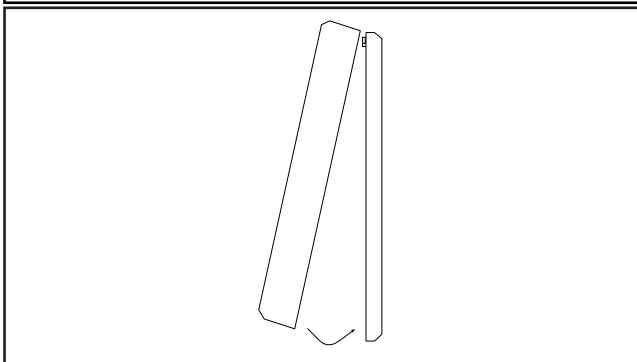
Figure 5: Use/Disable Keypad



- 1 - Cut and remove resistor to disable buzzer.
- 2 - Cut and remove R30 resistor for D2112/D2112E.

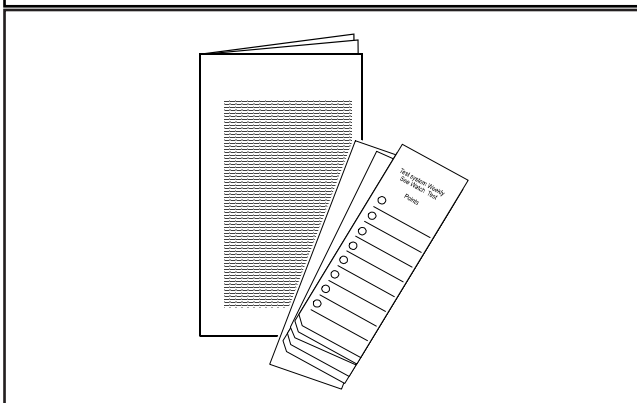
- 6. Hook the D202A at the top of the base and swing closed. Be sure to align the cover with the two tabs on the top of the base. Snap shut. See *Figure 6*.

Figure 6: Hook D202A



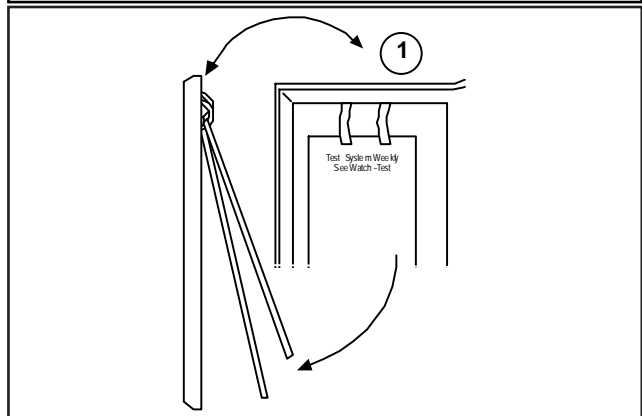
- 7. Review the *Security System User's Guide* (P/N: 71-07117-000) and complete the User's Cards as programmed. See *Figure 7*.

Figure 7: Review Security System User's Guide



- 8. Hang the *User's Cards* (P/N: 71-07090-000) on the mounting rings on the inside of the door. The rings are open at the top. See *Figure 8*.

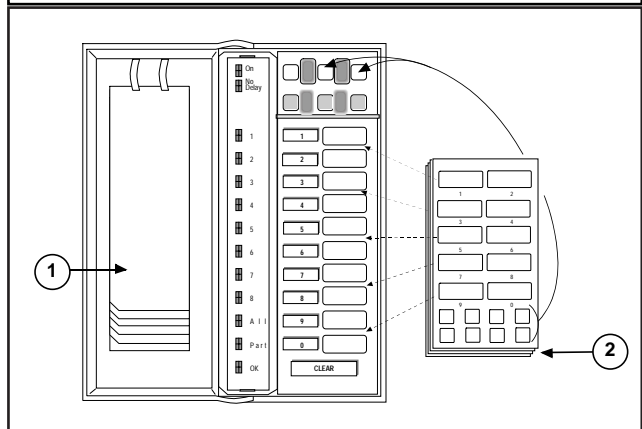
Figure 8: Hang User's Cards



- 1 - Hang the cards, one at a time.

- 9. Install the desired labels. See *Figure 9*.

Figure 9: Install Labels



- 1 - Installed cards
- 2 - Labels (P/N: 79-07092-001)

Bosch Security Systems
130 Perinton Parkway
Fairport, NY 14450-9199 USA
www.boschsecurity.us
Customer Service: (800) 289-0096
Technical Support: (888) 886-6189

© 2003 Bosch Security Systems
Subject to change | Printed in the USA
74-07419-000-B

BOSCH