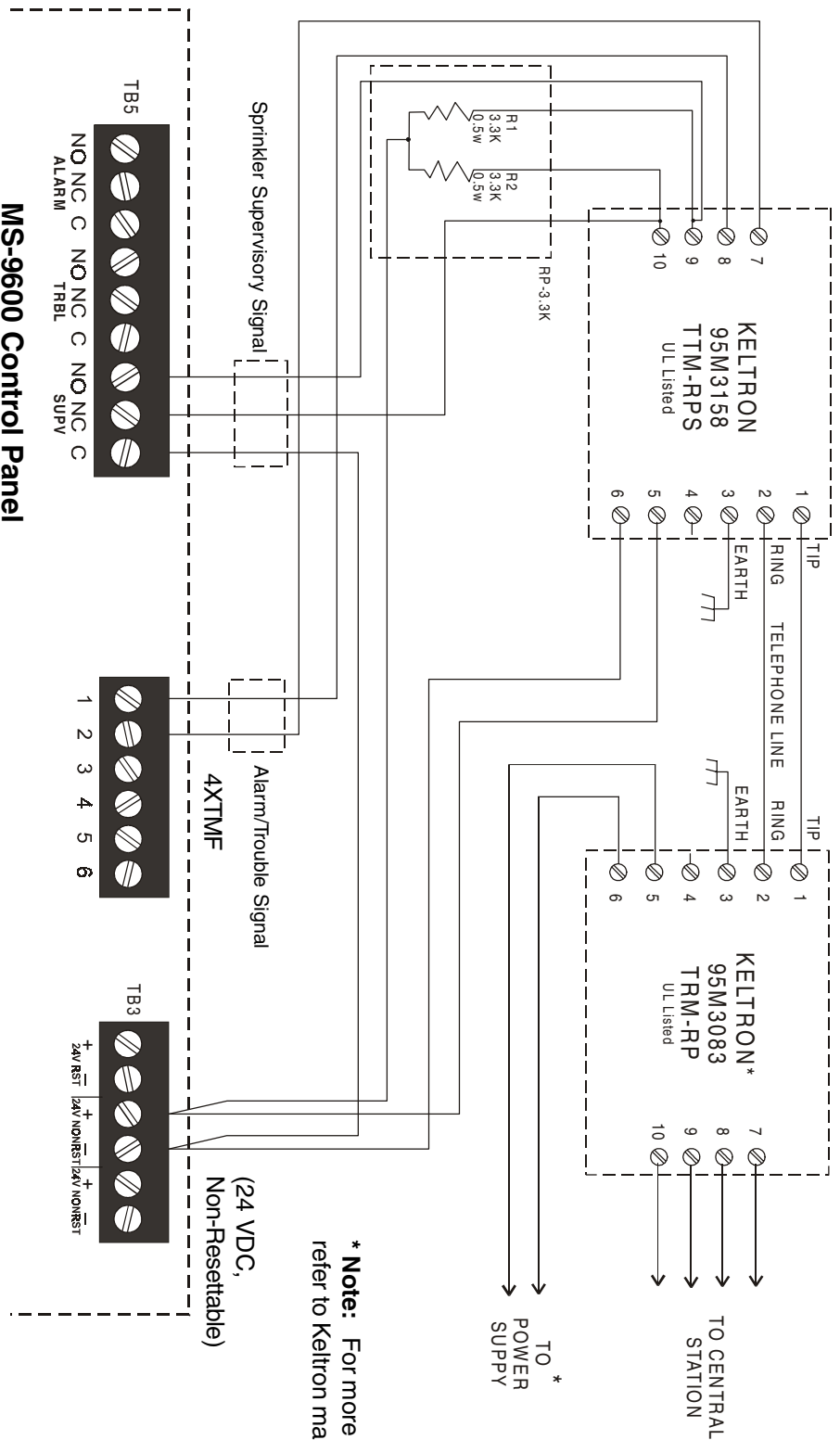


# Keltron 95M3158 TTM-RPS

1. Terminals 7 and 8: Remote station alarm/trouble inputs.
2. Terminals 9 and 10: Sprinkler supervisory input.

## CAUTION!

For reasons of wiring diagram clarity, terminal designations of Keltron modules are not shown in actual order. Follow Keltron manual and module markings for exact terminal locations to prevent severe module damage!



\* Note: For more information, refer to Keltron manual.

Note: Cut TBL jumper on 4XTMF/4XTM module to send alarm/trouble signal from the same pair of terminals.

# MS-9600 with Keltron RCVR/XMTR Wiring Diagram

51530 Revision A  
February 1, 2001

ECN 01-053