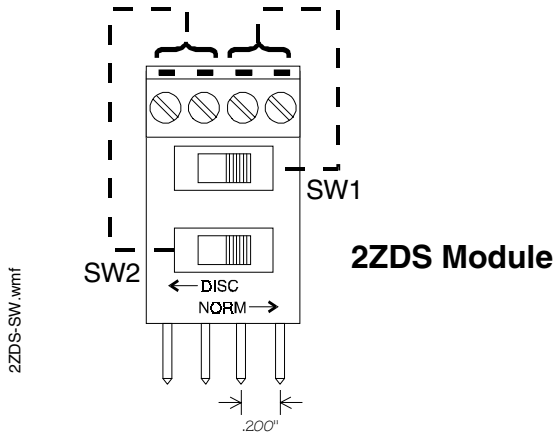


2ZDS

2-Zone Disconnect Switch

Product Installation Document

P/N 51308:A 01/24/2000 ECN 00-018 Rev. A



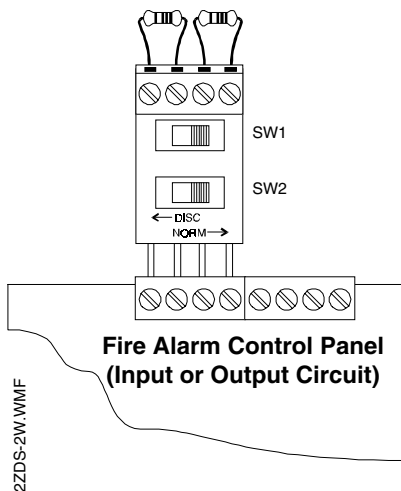
This document describes how to install and use the 2ZDS Two-Zone Disconnect Switch module. The 2ZDS may be used on any circuit of any Fire-Lite/Notifier Fire Alarm Control Panel that utilizes miniature screw terminals with 0.200" (5.08 mm) centers (except those circuits that require Class A expansion boards). This module allows the user to manually disconnect fire alarm circuits (inputs or outputs) for testing purposes, by use of miniature slide switches located on the 2ZDS.

The 2ZDS board consists of a four-position terminal block to connect field wiring and four male pins that are inserted into the Fire Alarm Control Panel's input or output terminals. Upon inserting the 2ZDS into the host FACP's terminals, be sure to adequately tighten the terminal screws to hold the 2ZDS in place securely. Two slide switches are located on the board which allow the user to disconnect the associated field wiring from the FACP. Switch SW1 (located closest to the terminal block) disconnects the field wiring connected to the right-most screw terminal and switch SW2 disconnects the field wiring connected to the screw terminal that is second from the left.

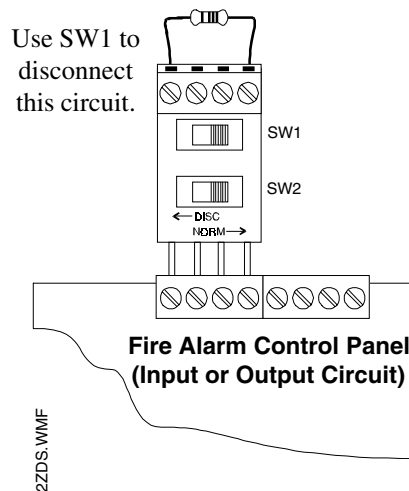
Each switch has two positions, NORM which connects the field wiring to the panel and DISC which opens the connection between the panel and field wiring for testing purposes only.

ATTENTION: When testing is complete, always place both switches in the NORM position. If either one of the switches is in the off-normal DISC position, a trouble condition will be produced at the FACP.

**Wiring Shown for
Two Style B (Class B) IDC or
Two Style Y (Class B) NAC**



**Wiring Shown for
One Style B (Class B) IDC or
One Style Y (Class B) NAC**



**Wiring Shown for
One Style D (Class A) IDC or
One Style Z (Class A) NAC**

