



Addendum to the MS9200 Technical Manual

Surge Suppression

There are three (3) primary surge protectors that are approved for use with the MS9200 FACP.

- **DTK-2LVLP-F** Diversified Technology Group, Inc. 1720 Starkey Rd. Largo, FL 33771 (727) 812-5000
- **SLCP-030** EDCO 1805 N.E. 19th Ave. Ocala, FL 34470 (352) 732-3029
- **PLP-42N** Northern Technologies, Inc. 23123 E. Madison Ave. Liberty Lake, WA 99019 (800) 727-9119

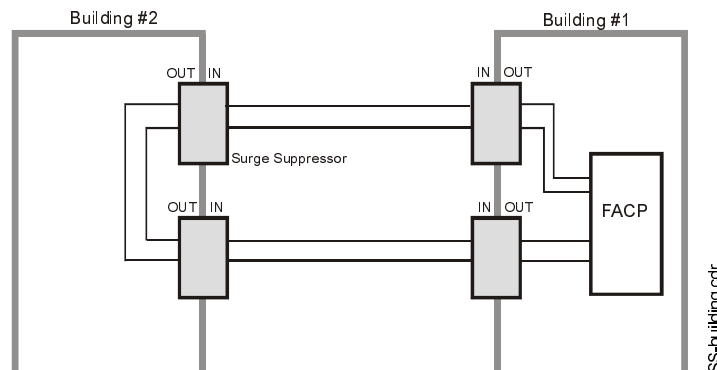
Note: For detailed information refer to the installation documentation that was supplied with the unit.

One primary surge protector must be used with each SLC wiring pair whenever SLC wiring runs outside the building.

- Install primary protection only as shown in this document.
- Refer to NEC Article 800 and local building code requirements.

Additional primary surge suppressors maybe added as required by the NEC. Add these additional suppressors in series with the SLC wiring at the building entry/exit.

Wiring connected to the surge suppressor output must remain within the building while wiring connected to the surge suppressor input may be routed outside the building as shown below.

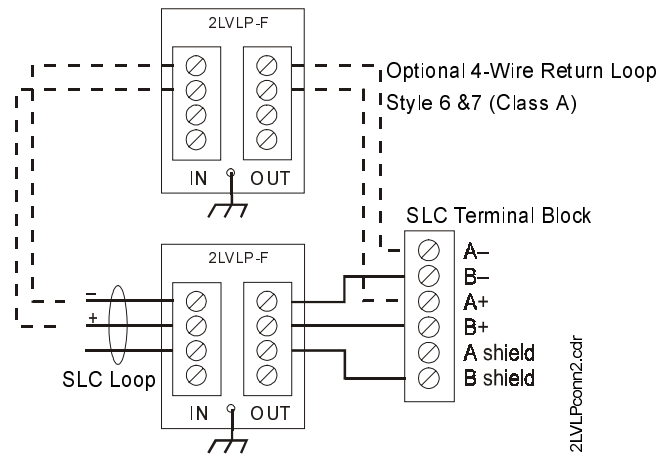


Unit Installation

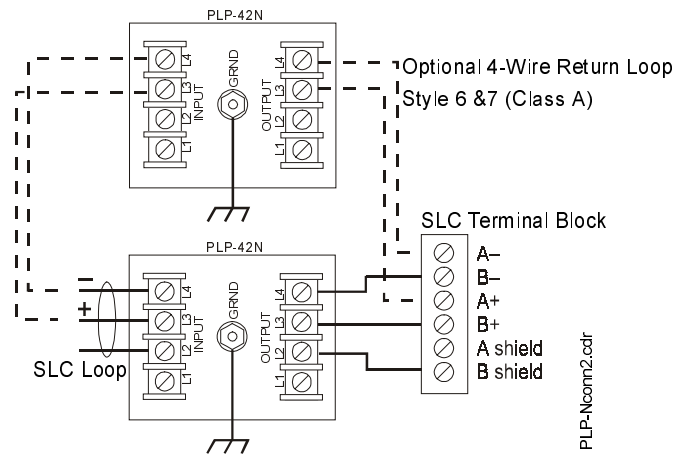
Mounting is inside the FACP enclosure or in a separate enclosure listed for fire protective signaling use.

- Locate on an available stud and secure with nut.
- Unit is connected in series with the SLC Loop to protect the Control Panel.
- Provide a common ground to eliminate the possibility of a differential in ground potentials.

DTK-2LVLP-F Connections



PLP-42N Connections



Note: Use 12AWG to 18AWG wire with crimp-on connectors to connect the unit's ground terminal to equipment ground. Wire length must be minimized to provide best protection.

SLCP-030 Connections

