

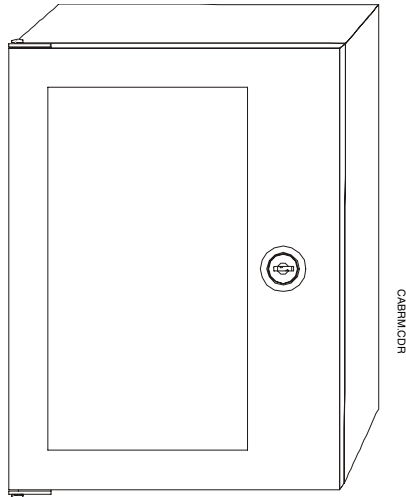
# CAB-RM Series

## Cabinets

(CAB-RM, CAB-RMR, CAB-RMRF)

Document 51157  
Revision B

12/15/00  
ECN 00-562



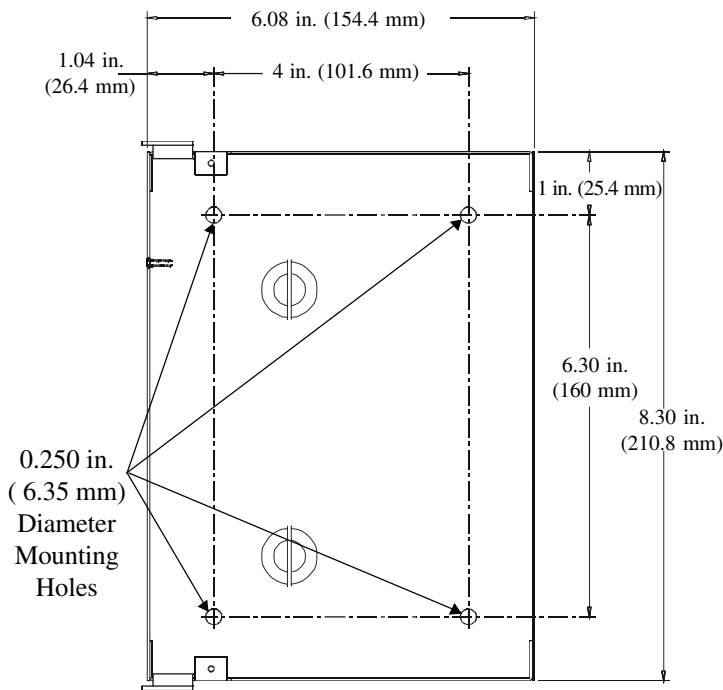
CABRM/CDR

CAB-RM Series Cabinet

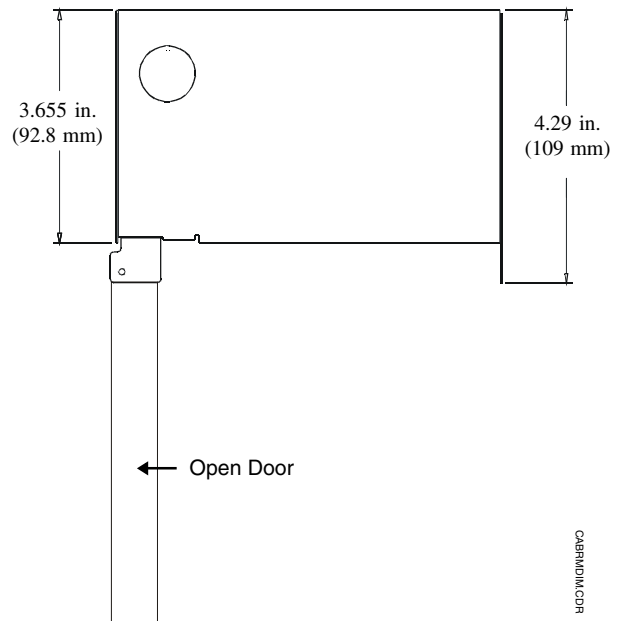
### CAB-RM Series Cabinets

Each CAB-RM Series Cabinet can house one RM-1SA Remote Microphone Assembly. The CAB-RM is dark gray; the CAB-RMR and CAB-RMRF are red.

Following are the cabinet dimensions.



Cabinet Backbox



CABRM/CDR

Cabinet Top View

### Cabinet Mounting Instructions

The CAB-RM, CAB-RMR or CAB-RMRF should be mounted in a clean, dry, vibration free area where extreme temperatures are not encountered. The area should be readily accessible with sufficient room to easily install and maintain the equipment. Sufficient knockouts are provided for wiring convenience. Locate the top of the cabinet approximately five feet above the floor with the hinge on the left.

1. Mark the four mounting holes and predrill.
2. Mount backbox using mounting holes provided.