



## BG-12LX Addressable Pull Station

Document 51094 Revision A2 ECN 00-032 01/14/2000

### Description

The BG-12LX Addressable pull station is a non-coded, dual-action manual pull station with a key-lock reset feature. It provides Fire•Lite intelligent control panels with one addressable alarm initiating input. The addressable module is housed inside the pull station. The BG-12LX is compatible with all Fire•Lite intelligent panels. The BG-12LX meets the ADA requirement for a 5-lb. maximum pull force to activate the pull station. Operating instructions are molded into the pull station handle along with Braille text. Molded Terminal numbers are also present.

### Installation

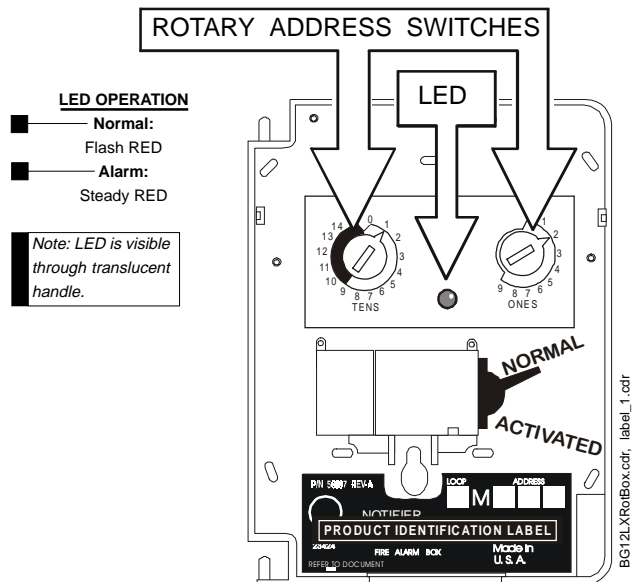
The BG-12LX Addressable pull station can be surface mounted to an SB-10 surface backbox or semi-flush mounted on a standard single-gang, double-gang or 4" (10.16 cm) square electrical box. The optional BG-TR trim ring can be used if the BG-12LX is to be semi-flush mounted.

### Ratings

Normal Operating Voltage: 24 VDC.  
 Average Operating Current (LED Flash): 300  $\mu$ A.  
 Temperature Range: 32° F - 120° F (0° C - 49° C).  
 Relative Humidity Range: 10% - 93% non-condensing.

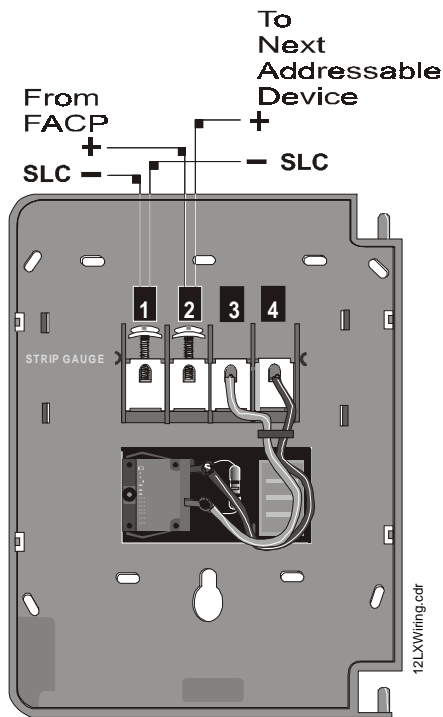
### Setting the BG-12LX Address

The BG-12LX Addressable pull station is factory preset with address '00.' Set the address for the pull station by turning the rotary address switches on the addressable module mounted inside the pull station. Only one device per address is allowed. Multiple modules may not be set to the same address on the Signaling Line Circuit. Once the address is set, record it in the space provided on the product ID label located inside the pull station.



**If, during mounting of the pull station, the door becomes detached,** complete the following steps to reattach the door to the backplate. The door cannot be connected to the pull station if the unit is mounted to the backbox.

1. Position the door and backplate side by side in the full open position. (i.e. 180-degrees with respect to each other.)
2. With the backplate position fixed, move the door behind the backplate, as shown in the illustration, part A.
3. Align the hinge posts and holes by bringing the door up to meet the backplate, paying particular attention to the 'keying' that occurs when the door's post hole is aligned to the backplate's hinge post. Refer to the illustration, part B.
4. With the two pieces aligned and 'keyed' together, slide the holes down onto the posts. Refer to the illustration, part C.
5. Holding the backplate, close the door and backplate slightly to lock the door and backplate together.



## Wiring

- 1) If flush mounting, proceed to step 4.
- 2) Mount the backbox before wiring it to the pull station.
- 3) Before surface mounting the pull station, pull all wiring through the backbox and optional trim ring.
- 4) Remove the appropriate amount of wire insulation. The pull station back plate is molded with a strip gauge to measure the amount of insulation to be removed.
- 5) Connect the wiring from the addressable fire alarm control panel's Signaling Line Circuit (SLC) to Terminals 1(-) and 2(+) on the BG-12LX addressable pull station. SLC polarity is critical for this connection.
- 6) Connect the wiring going to the next device on the SLC to Terminals 1 and 2, again being certain to observe polarity.
- 7) Open the pull station door; align the mounting holes of the pull station backplate to the backbox and screw into place. Tighten top and bottom screws.
- 8) Set the address as described in 'Setting the BG-12LX Address' and write the address in the space provided on the label.
- 9) Insure that the alarm switch is in the normal position. Close and lock the pull station door.

## Operation

Push-in and pull-down the handle where indicated to activate the station. The BG-12LX manual fire alarm pull station includes one SPST (Single Pole, Single Throw) N/O (normally-open) switch and the addressable module located inside the station. Pushing-in and pulling-down the dual action handle causes the N/O alarm switch to close. The word 'ACTIVATED' is displayed on the top of the handle when the pull station handle is Pushed-in and pulled-down. The activated handle can not be reset without employing the key-lock reset. To reset the BG-12LX pull station: 1) Insert the key and turn counterclockwise, 2) Open the door until the handle moves back into the 'NORMAL' position, 3) Close the door and lock it. Closing the door automatically resets the BG-12LX to the 'NORMAL' position.

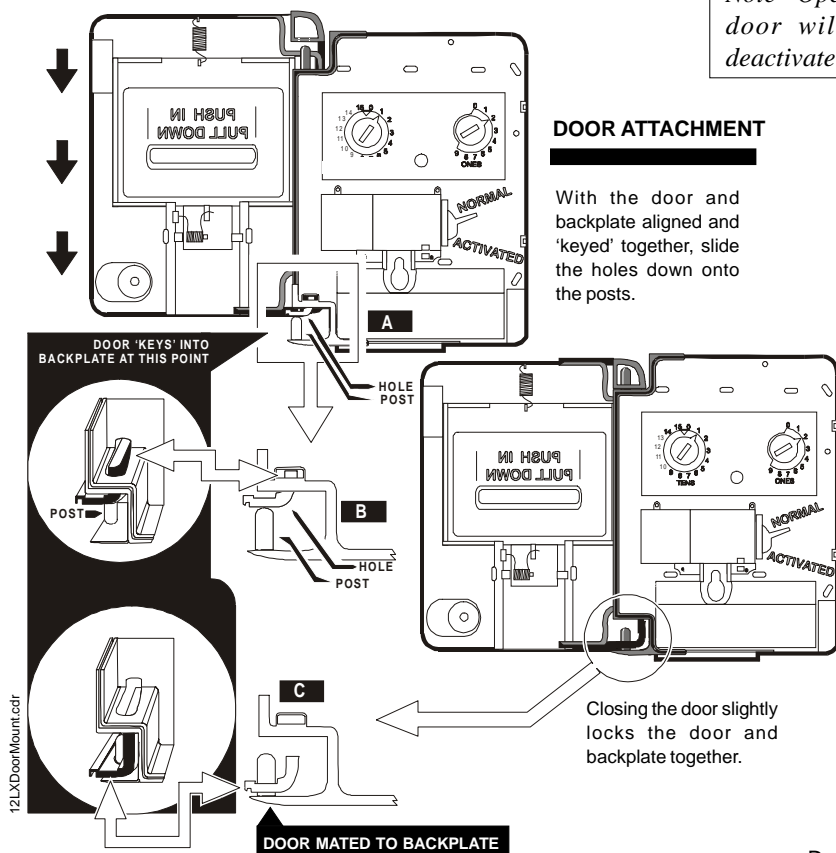
*Note - Opening the pull station door will not activate or deactivate the alarm switch.*



**ACTIVATED  
BG-12LX PULL  
STATION**

## DOOR ATTACHMENT

With the door and backplate aligned and 'keyed' together, slide the holes down onto the posts.



## CAUTION!

Install the Fire•Lite BG-12LX manual pull station in accordance with these instructions, applicable NFPA standards, national and local Fire and Electrical codes and the requirements of the AHJ (Authority Having Jurisdiction). Regular testing of the devices should be conducted in accordance with the appropriate NFPA standards. Failure to follow these directions may result in failure of the device to report an alarm condition. Fire•Lite is not responsible for devices that have been improperly installed, tested or maintained.

**For ADA compliance**, if the clear floor space only allows forward approach to an object, the maximum forward reach height allowed is 48 in. (1,220 mm). If the clear floor space allows parallel approach by a person in a wheelchair, the maximum side reach height allowed is 54 in. (1,370 mm).