



ADT Security Services, Inc.
One Town Center Road
Boca Raton, FL 33431
(561) 988-3600

**Unimode 300 Addendum to the
Unimode 400 Manuals:
50708, 50709, 50710
Revision A**

Document 50944

05/11/98

Revision:

A

PN 50944

ECN 98-213

Introduction

The Unimode 300 is a cost-effective, compact, intelligent fire alarm control panel with a capacity of 266 points (shown in Figure 1(+), distributed as follows:

- 198 points through the SLC
- 64 points through Panel Circuits
- 4 points through the NACs on the MPS-400

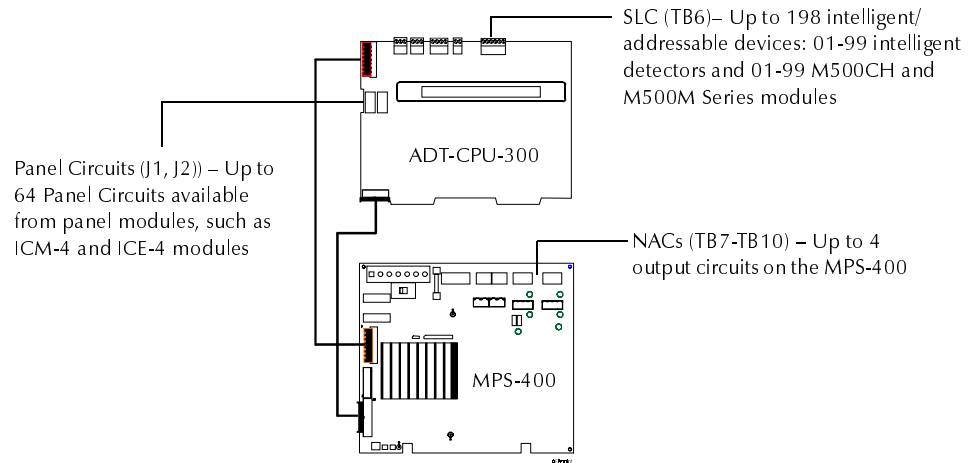


Figure 1 Unimode 300 Point Capacity

The Unimode 300 mounts into an ADT-CAB-400AA cabinet and provides the same features as the Unimode 400, including voice and telephone, advanced networking, and VIEW™ early warning fire detection. Table 1 summarizes the features of the Unimode 300 control panel:

Feature	Description	Refer to
Unimode 300 Basic Equipment Packages	Lists the basic equipment for the following: <ul style="list-style-type: none"> • ADT-BE-300 • ADT-BE-300AA 	"Unimode 300 Basic Equipment Packages" on page 2
Unimode 300 System Diagram	Provides a system diagram of a Unimode 300 system installed in an ADT-CAB-400AA.	"Unimode 300 System Diagram" on page 3
ADT-CPU	The CPU used with the Unimode 300.	"ADT-CPU-300 Module" on page 4
ADT-CAB-400AA	The cabinet that houses the Unimode 300.	"ADT-CAB-400AA" on page 5
ACS annunciation for the 266 points	A complete list of points that can be annunciated using the Unimode 300.	"Annunciator Selection Groups for the Unimode 300" on page 6

Table 1 Summary of Unimode 300 Features

Unimode 300 Basic Equipment Packages

Note: ADT-CAB 3 and ADT-CAB-400AA Series cabinets are not included in the ADT-BE-300 or ADT-BE-300AA. You need to order cabinet separately.

The **ADT-BE-300** is a Base Equipment package for systems that use ADT-CAB 3 Series cabinets that includes the following:

- CPU module (ADT-CPU-300)
- MPS-400 main power supply and chassis
- Documentation, including manuals and instruction sheets
- CHS-4 chassis
- BP-3 Battery Dress Panel
- Cable kit
- Hardware kit

The **ADT-BE-300AA** is a Base Equipment for smaller systems that supports only one output option module and use the ADT-CAB-400AA mini cabinet. The ADT-BE-300AA includes the following:

- CPU module (ADT-CPU-300)
- MPS-400RB (replacement board) main power supply and two 100 VA transformers
- Documentation, including manuals and instruction sheets
- Cable kit
- Hardware kit

Unimode 300 System Diagram

Figure 2 shows a Unimode 300 system installed in an ADT-CAB-400AA with a voice alarm system and a full complement of installed devices:

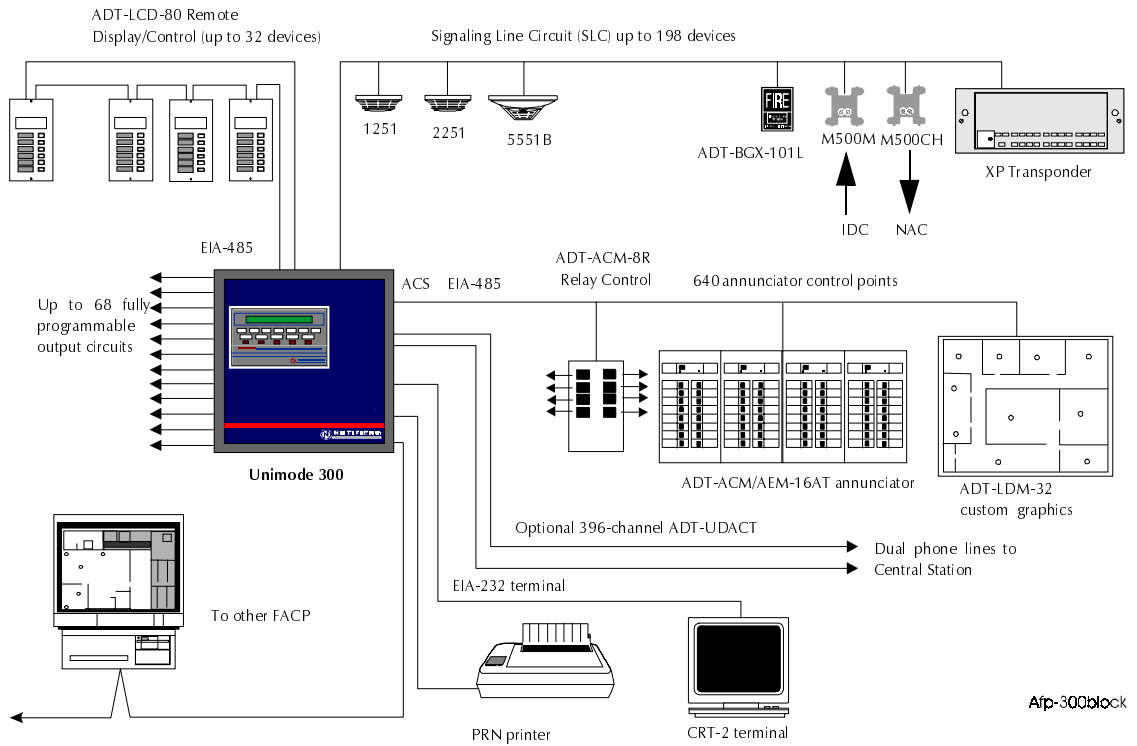


Figure 2 Unimode 300 System Diagram

ADT-CPU-300 Module

The ADT-CPU-300 module provides one Signaling Line Circuit (TB5), connectors to Panel Circuits (J1 and J2) and LED indicators, programming keys, and control keys.

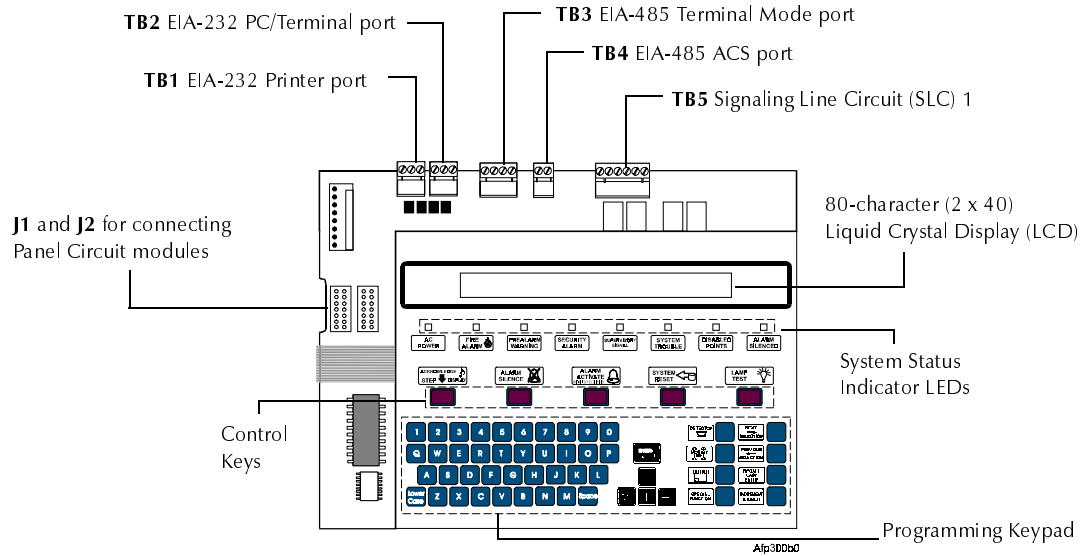


Figure 3 ADT-CPU-300 Module

ADT-CAB-400AA

The ADT-CAB-400AA is a backbox and door that can contain a small Unimode 300 or Unimode 400 system. (A small system supports up to twelve NACs and consists of an ADT-CPU and one option module, such as an ICM-4 or ICE-4.) Modules mount to rails in the ADT-CAB-400AA, eliminating the need for optional chassis assemblies. Mounting methods include surface-mounting or semi-flush mounting on a wall between 16-inch-on-center studs.

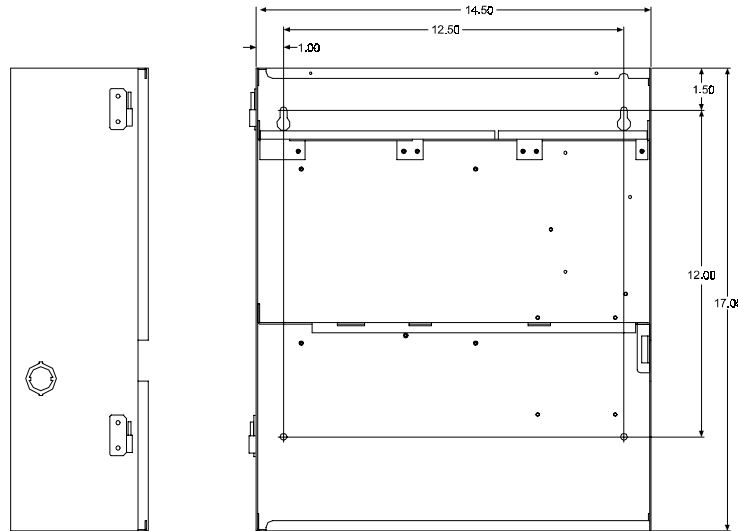


Table 2 lists the components included in the ADT-CAB-400AA

Component	Description
ADT-BE-300AA	A package that includes an ADT-CPU-300, an MPS-400, a transformer assembly, and a two-position ADT-CPU-400 ribbon cable.
ADT-CAB-400AA (includes DP-400AA)	A backbox (14.5" wide by 17" tall by 5" deep) and door (14.57" wide by 17.25" tall by 1.5" deep).
ADT-DP-400AA	An Inner Dress Panel for covering the backbox area surrounding the modules. The ADT-DP-400AA is required for Canadian installations.
BM-1	Blank module for covering an unused panel or module.
TR-500	Trim ring that provides for semi-flush mounting of the ADT-CAB-400AA cabinet.

Table 2 ADT-CAB-400AA Components

Annunciator Selection Groups for the Unimode 300

Note: For a details on Annunciation Selection Groups, refer to the Unimode 300/ Unimode 400 Installation Manual, Document 50710.

The control panel's annunciation points are divided into nine ACS selection groups of 64 points. Table 3 contains a list of the ACS Selection Groups that you can assign using the Unimode 300.

ACS Selection Group	Annunciator Display	Refer to
1	CPU system status (8 points) and Software Zones 1-56	See Table 4 on page 7
2	Software Zones 57-99, Special Functions F1-F9, Releasing Zones R0-R7, and MPS-400 NACs B01-B04	See Table 5 on page 8
3	Intelligent Modules 101 to 164	See Table 6 on page 9
5	Intelligent Modules 165-196	See Table 7 on page 10
6	Intelligent Detectors 101 to 164	See Table 8 on page 11
8	Intelligent Detectors 165-196	See Table 9 on page 12
9	NACs and Panel Circuits 1-64 connected through J1 and J2 on the ADT-CPU	See Table 10 on page 13
* or 0	Annunciator not installed at address	N/A

Table 3 ACS Selection Groups

ACS Annunciator Selection Group 1

ACS Point Number	Point Type	Red LED Indicates	Yellow LED Indicates	Switch Function	Comments
1	Input	System Alarm	System Trouble	Acknowledge	
2	Output	Not Used	Signal Silenced	Alarm Silence	
3	Output	Not Used	Program Mode	System Reset	
4	Output	Not Used	Supervisory	Drill	
5	Output	NAC #1 Active	NAC Trouble	Control NAC 1 (B01)	
6	Input	Not Used	PA/Maint Alert	Not Used	
7	Input	Not Used	Low Battery	Not Used	
8	Input	Not Used	AC Fail	Not Used	
9	Input	Zone 1 Active	Zone 1 Trouble	Not Used	
10	Input	Zone 2 Active	Zone 2 Trouble	Not Used	
11	Input	Zone 3 Active	Zone 3 Trouble	Not Used	
12	Input	Zone 4 Active	Zone 4 Trouble	Not Used	
13	Input	Zone 5 Active	Zone 5 Trouble	Not Used	
14	Input	Zone 6 Active	Zone 6 Trouble	Not Used	
15	Input	Zone 7 Active	Zone 7 Trouble	Not Used	
16	Input	Zone 8 Active	Zone 8 Trouble	Not Used	
17	Input	Zone 9 Active	Zone 9 Trouble	Not Used	
18	Input	Zone 10 Active	Zone 10 Trouble	Not Used	
19	Input	Zone 11 Active	Zone 11 Trouble	Not Used	
20	Input	Zone 12 Active	Zone 12 Trouble	Not Used	
21	Input	Zone 13 Active	Zone 13 Trouble	Not Used	
22	Input	Zone 14 Active	Zone 14 Trouble	Not Used	
23	Input	Zone 15 Active	Zone 15 Trouble	Not Used	
24	Input	Zone 16 Active	Zone 16 Trouble	Not Used	
25	Input	Zone 17 Active	Zone 17 Trouble	Not Used	
26	Input	Zone 18 Active	Zone 18 Trouble	Not Used	
27	Input	Zone 19 Active	Zone 19 Trouble	Not Used	
28	Input	Zone 20 Active	Zone 20 Trouble	Not Used	
29	Input	Zone 21 Active	Zone 21 Trouble	Not Used	
30	Input	Zone 22 Active	Zone 22 Trouble	Not Used	
31	Input	Zone 23 Active	Zone 23 Trouble	Not Used	
32	Input	Zone 24 Active	Zone 24 Trouble	Not Used	
33	Input	Zone 25 Active	Zone 25 Trouble	Not Used	
34	Input	Zone 26 Active	Zone 26 Trouble	Not Used	
35	Input	Zone 27 Active	Zone 27 Trouble	Not Used	
36	Input	Zone 28 Active	Zone 28 Trouble	Not Used	
37	Input	Zone 29 Active	Zone 29 Trouble	Not Used	
38	Input	Zone 30 Active	Zone 30 Trouble	Not Used	
39	Input	Zone 31 Active	Zone 31 Trouble	Not Used	
40	Input	Zone 32 Active	Zone 32 Trouble	Not Used	
41	Input	Zone 33 Active	Zone 33 Trouble	Not Used	
42	Input	Zone 34 Active	Zone 34 Trouble	Not Used	
43	Input	Zone 35 Active	Zone 35 Trouble	Not Used	
44	Input	Zone 36 Active	Zone 36 Trouble	Not Used	
45	Input	Zone 37 Active	Zone 37 Trouble	Not Used	
46	Input	Zone 38 Active	Zone 38 Trouble	Not Used	
47	Input	Zone 39 Active	Zone 39 Trouble	Not Used	
48	Input	Zone 40 Active	Zone 40 Trouble	Not Used	
49	Input	Zone 41 Active	Zone 41 Trouble	Not Used	
50	Input	Zone 42 Active	Zone 42 Trouble	Not Used	
51	Input	Zone 43 Active	Zone 43 Trouble	Not Used	
52	Input	Zone 44 Active	Zone 44 Trouble	Not Used	
53	Input	Zone 45 Active	Zone 45 Trouble	Not Used	
54	Input	Zone 46 Active	Zone 46 Trouble	Not Used	
55	Input	Zone 47 Active	Zone 47 Trouble	Not Used	
56	Input	Zone 48 Active	Zone 48 Trouble	Not Used	
57	Input	Zone 49 Active	Zone 49 Trouble	Not Used	
58	Input	Zone 50 Active	Zone 50 Trouble	Not Used	
59	Input	Zone 51 Active	Zone 51 Trouble	Not Used	
60	Input	Zone 52 Active	Zone 52 Trouble	Not Used	
61	Input	Zone 53 Active	Zone 53 Trouble	Not Used	
62	Input	Zone 54 Active	Zone 54 Trouble	Not Used	
63	Input	Zone 55 Active	Zone 55 Trouble	Not Used	
64	Input	Zone 56 Active	Zone 56 Trouble	Not Used	

Table 4 ACS Annunciator Selection Group 1

ACS Annunciator Selection Group 2

ACS Point Number	Point Type	Red LED Indicates	Yellow LED Indicates	Switch Function	Comments
1	Input	Zone 57 Active	Zone 57 Trouble		Not Used
2	Input	Zone 58 Active	Zone 58 Trouble		Not Used
3	Input	Zone 59 Active	Zone 59 Trouble		Not Used
4	Input	Zone 60 Active	Zone 60 Trouble		Not Used
5	Input	Zone 61 Active	Zone 61 Trouble		Not Used
6	Input	Zone 62 Active	Zone 62 Trouble		Not Used
7	Input	Zone 63 Active	Zone 63 Trouble		Not Used
8	Input	Zone 64 Active	Zone 64 Trouble		Not Used
9	Input	Zone 65 Active	Zone 65 Trouble		Not Used
10	Input	Zone 66 Active	Zone 66 Trouble		Not Used
11	Input	Zone 67 Active	Zone 67 Trouble		Not Used
12	Input	Zone 68 Active	Zone 68 Trouble		Not Used
13	Input	Zone 69 Active	Zone 69 Trouble		Not Used
14	Input	Zone 70 Active	Zone 70 Trouble		Not Used
15	Input	Zone 71 Active	Zone 71 Trouble		Not Used
16	Input	Zone 72 Active	Zone 72 Trouble		Not Used
17	Input	Zone 73 Active	Zone 73 Trouble		Not Used
18	Input	Zone 74 Active	Zone 74 Trouble		Not Used
19	Input	Zone 75 Active	Zone 75 Trouble		Not Used
20	Input	Zone 76 Active	Zone 76 Trouble		Not Used
21	Input	Zone 77 Active	Zone 77 Trouble		Not Used
22	Input	Zone 78 Active	Zone 78 Trouble		Not Used
23	Input	Zone 79 Active	Zone 79 Trouble		Not Used
24	Input	Zone 80 Active	Zone 80 Trouble		Not Used
25	Input	Zone 81 Active	Zone 81 Trouble		Not Used
26	Input	Zone 82 Active	Zone 82 Trouble		Not Used
27	Input	Zone 83 Active	Zone 83 Trouble		Not Used
28	Input	Zone 84 Active	Zone 84 Trouble		Not Used
29	Input	Zone 85 Active	Zone 85 Trouble		Not Used
30	Input	Zone 86 Active	Zone 86 Trouble		Not Used
31	Input	Zone 87 Active	Zone 87 Trouble		Not Used
32	Input	Zone 88 Active	Zone 88 Trouble		Not Used
33	Input	Zone 89 Active	Zone 89 Trouble		Not Used
34	Input	Zone 90 Active	Zone 90 Trouble		Not Used
35	Input	Zone 91 Active	Zone 91 Trouble		Not Used
36	Input	Zone 92 Active	Zone 92 Trouble		Not Used
37	Input	Zone 93 Active	Zone 93 Trouble		Not Used
38	Input	Zone 94 Active	Zone 94 Trouble		Not Used
39	Input	Zone 95 Active	Zone 95 Trouble		Not Used
40	Input	Zone 96 Active	Zone 96 Trouble		Not Used
41	Input	Zone 97 Active	Zone 97 Trouble		Not Used
42	Input	Zone 98 Active	Zone 98 Trouble		Not Used
43	Input	Zone 99 Active	Zone 99 Trouble		Not Used
44	Output	Zone F1 Active	Zone F1 Trouble		Not Used
45	Output	Zone F2 Active	Zone F2 Trouble		Not Used
46	Output	Zone F3 Active	Zone F3 Trouble		Not Used
47	Output	Zone F4 Active	Zone F4 Trouble		Not Used
48	Output	Zone F5 Active	Zone F5 Trouble		Not Used
49	Output	Zone F6 Active	Zone F6 Trouble		Not Used
50	Output	Zone F7 Active	Zone F7 Trouble		Not Used
51	Output	Zone F8 Active	Zone F8 Trouble		Not Used
52	Output	Zone F9 Active	Zone F9 Trouble		Not Used
53	Release Ckt # 0	Zone R0 Active	Zone R1 Trouble		Not Used
54	Release Ckt # 1	Zone R1 Active	Zone R2 Trouble		Not Used
55	Release Ckt # 2	Zone R2 Active	Zone R3 Trouble		Not Used
56	Release Ckt # 3	Zone R3 Active	Zone R4 Trouble		Not Used
57	Release Ckt # 4	Zone R4 Active	Zone R5 Trouble		Not Used
58	Release Ckt # 5	Zone R5 Active	Zone R6 Trouble		Not Used
59	Release Ckt # 6	Zone R6 Active	Zone R7 Trouble		Not Used
60	Release Ckt # 7	Zone R7 Active	Zone R8 Trouble		Not Used
61	NAC Output	NAC B01 Active	NAC B01 Trouble		Controls NAC B01
62	NAC Output	NAC B02 Active	NAC B02 Trouble		Controls NAC B02
63	NAC Output	NAC B03 Active	NAC B03 Trouble		Controls NAC B03
64	NAC Output	NAC B04 Active	NAC B04 Trouble		Controls NAC B04

Table 5 ACS Annunciator Selection Group 2

ACS Annunciator Selection Group 5

ACS Point Number	Point Type	Red LED Indicates	Yellow LED Indicates	Switch Function	Comments
1	Input or Output	Module 165 Active	Module 165 Trouble	Controls Output Module	
2	Input or Output	Module 166 Active	Module 166 Trouble	Controls Output Module	
3	Input or Output	Module 167 Active	Module 167 Trouble	Controls Output Module	
4	Input or Output	Module 168 Active	Module 168 Trouble	Controls Output Module	
5	Input or Output	Module 169 Active	Module 169 Trouble	Controls Output Module	
6	Input or Output	Module 170 Active	Module 170 Trouble	Controls Output Module	
7	Input or Output	Module 171 Active	Module 171 Trouble	Controls Output Module	
8	Input or Output	Module 172 Active	Module 172 Trouble	Controls Output Module	
9	Input or Output	Module 173 Active	Module 173 Trouble	Controls Output Module	
10	Input or Output	Module 174 Active	Module 174 Trouble	Controls Output Module	
11	Input or Output	Module 175 Active	Module 175 Trouble	Controls Output Module	
12	Input or Output	Module 176 Active	Module 176 Trouble	Controls Output Module	
13	Input or Output	Module 177 Active	Module 177 Trouble	Controls Output Module	
14	Input or Output	Module 178 Active	Module 178 Trouble	Controls Output Module	
15	Input or Output	Module 179 Active	Module 179 Trouble	Controls Output Module	
16	Input or Output	Module 180 Active	Module 180 Trouble	Controls Output Module	
17	Input or Output	Module 181 Active	Module 181 Trouble	Controls Output Module	
18	Input or Output	Module 182 Active	Module 182 Trouble	Controls Output Module	
19	Input or Output	Module 183 Active	Module 183 Trouble	Controls Output Module	
20	Input or Output	Module 184 Active	Module 184 Trouble	Controls Output Module	
21	Input or Output	Module 185 Active	Module 185 Trouble	Controls Output Module	
22	Input or Output	Module 186 Active	Module 186 Trouble	Controls Output Module	
23	Input or Output	Module 187 Active	Module 187 Trouble	Controls Output Module	
24	Input or Output	Module 188 Active	Module 188 Trouble	Controls Output Module	
25	Input or Output	Module 189 Active	Module 189 Trouble	Controls Output Module	
26	Input or Output	Module 190 Active	Module 190 Trouble	Controls Output Module	
27	Input or Output	Module 191 Active	Module 191 Trouble	Controls Output Module	
28	Input or Output	Module 192 Active	Module 192 Trouble	Controls Output Module	
29	Input or Output	Module 193 Active	Module 193 Trouble	Controls Output Module	
30	Input or Output	Module 194 Active	Module 194 Trouble	Controls Output Module	
31	Input or Output	Module 195 Active	Module 195 Trouble	Controls Output Module	
32	Input or Output	Module 196 Active	Module 196 Trouble	Controls Output Module	

Table 7 ACS Annunciator Selection Group 5

ACS Annunciator Selection Group 6

ACS Point Number	Point Type	Red LED Indicates	Yellow LED Indicates	Switch Function	Comments
1	Input	Detector 101 Alarm	Detector 101 Trouble	Not Used	
2	Input	Detector 102 Alarm	Detector 102 Trouble	Not Used	
3	Input	Detector 103 Alarm	Detector 103 Trouble	Not Used	
4	Input	Detector 104 Alarm	Detector 104 Trouble	Not Used	
5	Input	Detector 105 Alarm	Detector 105 Trouble	Not Used	
6	Input	Detector 106 Alarm	Detector 106 Trouble	Not Used	
7	Input	Detector 107 Alarm	Detector 107 Trouble	Not Used	
8	Input	Detector 108 Alarm	Detector 108 Trouble	Not Used	
9	Input	Detector 109 Alarm	Detector 109 Trouble	Not Used	
10	Input	Detector 110 Alarm	Detector 110 Trouble	Not Used	
11	Input	Detector 111 Alarm	Detector 111 Trouble	Not Used	
12	Input	Detector 112 Alarm	Detector 112 Trouble	Not Used	
13	Input	Detector 113 Alarm	Detector 113 Trouble	Not Used	
14	Input	Detector 114 Alarm	Detector 114 Trouble	Not Used	
15	Input	Detector 115 Alarm	Detector 115 Trouble	Not Used	
16	Input	Detector 116 Alarm	Detector 116 Trouble	Not Used	
17	Input	Detector 117 Alarm	Detector 117 Trouble	Not Used	
18	Input	Detector 118 Alarm	Detector 118 Trouble	Not Used	
19	Input	Detector 119 Alarm	Detector 119 Trouble	Not Used	
20	Input	Detector 120 Alarm	Detector 120 Trouble	Not Used	
21	Input	Detector 121 Alarm	Detector 121 Trouble	Not Used	
22	Input	Detector 122 Alarm	Detector 122 Trouble	Not Used	
23	Input	Detector 123 Alarm	Detector 123 Trouble	Not Used	
24	Input	Detector 124 Alarm	Detector 124 Trouble	Not Used	
25	Input	Detector 125 Alarm	Detector 125 Trouble	Not Used	
26	Input	Detector 126 Alarm	Detector 126 Trouble	Not Used	
27	Input	Detector 127 Alarm	Detector 127 Trouble	Not Used	
28	Input	Detector 128 Alarm	Detector 128 Trouble	Not Used	
29	Input	Detector 129 Alarm	Detector 129 Trouble	Not Used	
30	Input	Detector 130 Alarm	Detector 130 Trouble	Not Used	
31	Input	Detector 131 Alarm	Detector 131 Trouble	Not Used	
32	Input	Detector 132 Alarm	Detector 132 Trouble	Not Used	
33	Input	Detector 133 Alarm	Detector 133 Trouble	Not Used	
34	Input	Detector 134 Alarm	Detector 134 Trouble	Not Used	
35	Input	Detector 135 Alarm	Detector 135 Trouble	Not Used	
36	Input	Detector 136 Alarm	Detector 136 Trouble	Not Used	
37	Input	Detector 137 Alarm	Detector 137 Trouble	Not Used	
38	Input	Detector 138 Alarm	Detector 138 Trouble	Not Used	
39	Input	Detector 139 Alarm	Detector 139 Trouble	Not Used	
40	Input	Detector 140 Alarm	Detector 140 Trouble	Not Used	
41	Input	Detector 141 Alarm	Detector 141 Trouble	Not Used	
42	Input	Detector 142 Alarm	Detector 142 Trouble	Not Used	
43	Input	Detector 143 Alarm	Detector 143 Trouble	Not Used	
44	Input	Detector 144 Alarm	Detector 144 Trouble	Not Used	
45	Input	Detector 145 Alarm	Detector 145 Trouble	Not Used	
46	Input	Detector 146 Alarm	Detector 146 Trouble	Not Used	
47	Input	Detector 147 Alarm	Detector 147 Trouble	Not Used	
48	Input	Detector 148 Alarm	Detector 148 Trouble	Not Used	
49	Input	Detector 149 Alarm	Detector 149 Trouble	Not Used	
50	Input	Detector 150 Alarm	Detector 150 Trouble	Not Used	
51	Input	Detector 151 Alarm	Detector 151 Trouble	Not Used	
52	Input	Detector 152 Alarm	Detector 152 Trouble	Not Used	
53	Input	Detector 153 Alarm	Detector 153 Trouble	Not Used	
54	Input	Detector 154 Alarm	Detector 154 Trouble	Not Used	
55	Input	Detector 155 Alarm	Detector 155 Trouble	Not Used	
56	Input	Detector 156 Alarm	Detector 156 Trouble	Not Used	
57	Input	Detector 157 Alarm	Detector 157 Trouble	Not Used	
58	Input	Detector 158 Alarm	Detector 158 Trouble	Not Used	
59	Input	Detector 159 Alarm	Detector 159 Trouble	Not Used	
60	Input	Detector 160 Alarm	Detector 160 Trouble	Not Used	
61	Input	Detector 161 Alarm	Detector 161 Trouble	Not Used	
62	Input	Detector 162 Alarm	Detector 162 Trouble	Not Used	
63	Input	Detector 163 Alarm	Detector 163 Trouble	Not Used	
64	Input	Detector 164 Alarm	Detector 164 Trouble	Not Used	

Table 8 ACS Annunciator Selection Group 6

ACS Annunciator Selection Group 8

ACS Point Number	Point Type	Red LED Indicates	Yellow LED Indicates	Switch Function	Comments
1	Input	Detector 165 Alarm	Detector 165 Trouble	Not Used	
2	Input	Detector 166 Alarm	Detector 166 Trouble	Not Used	
3	Input	Detector 167 Alarm	Detector 167 Trouble	Not Used	
4	Input	Detector 168 Alarm	Detector 168 Trouble	Not Used	
5	Input	Detector 169 Alarm	Detector 169 Trouble	Not Used	
6	Input	Detector 170 Alarm	Detector 170 Trouble	Not Used	
7	Input	Detector 171 Alarm	Detector 171 Trouble	Not Used	
8	Input	Detector 172 Alarm	Detector 172 Trouble	Not Used	
9	Input	Detector 173 Alarm	Detector 173 Trouble	Not Used	
10	Input	Detector 174 Alarm	Detector 174 Trouble	Not Used	
11	Input	Detector 175 Alarm	Detector 175 Trouble	Not Used	
12	Input	Detector 176 Alarm	Detector 176 Trouble	Not Used	
13	Input	Detector 177 Alarm	Detector 177 Trouble	Not Used	
14	Input	Detector 178 Alarm	Detector 178 Trouble	Not Used	
15	Input	Detector 179 Alarm	Detector 179 Trouble	Not Used	
16	Input	Detector 180 Alarm	Detector 180 Trouble	Not Used	
17	Input	Detector 181 Alarm	Detector 181 Trouble	Not Used	
18	Input	Detector 182 Alarm	Detector 182 Trouble	Not Used	
19	Input	Detector 183 Alarm	Detector 183 Trouble	Not Used	
20	Input	Detector 184 Alarm	Detector 184 Trouble	Not Used	
21	Input	Detector 185 Alarm	Detector 185 Trouble	Not Used	
22	Input	Detector 186 Alarm	Detector 186 Trouble	Not Used	
23	Input	Detector 187 Alarm	Detector 187 Trouble	Not Used	
24	Input	Detector 188 Alarm	Detector 188 Trouble	Not Used	
25	Input	Detector 189 Alarm	Detector 189 Trouble	Not Used	
26	Input	Detector 190 Alarm	Detector 190 Trouble	Not Used	
27	Input	Detector 191 Alarm	Detector 191 Trouble	Not Used	
28	Input	Detector 192 Alarm	Detector 192 Trouble	Not Used	
29	Input	Detector 193 Alarm	Detector 193 Trouble	Not Used	
30	Input	Detector 194 Alarm	Detector 194 Trouble	Not Used	
31	Input	Detector 195 Alarm	Detector 195 Trouble	Not Used	
32	Input	Detector 196 Alarm	Detector 196 Trouble	Not Used	

Table 9 ACS Annunciator Selection Group 8

ACS Annunciator Selection Group 9

ACS Point Number	Point Type	Red LED Indicates	Yellow LED Indicates	Switch Function	Comments
1	Output	Module P1.1 Active	Module P1.1 Trouble	Controls Module P1.1	
2	Output	Module P1.2 Active	Module P1.2 Trouble	Controls Module P1.2	
3	Output	Module P1.3 Active	Module P1.3 Trouble	Controls Module P1.3	
4	Output	Module P1.4 Active	Module P1.4 Trouble	Controls Module P1.4	
5	Output	Module P1.5 Active	Module P1.5 Trouble	Controls Module P1.5	
6	Output	Module P1.6 Active	Module P1.6 Trouble	Controls Module P1.6	
7	Output	Module P1.7 Active	Module P1.7 Trouble	Controls Module P1.7	
8	Output	Module P1.8 Active	Module P1.8 Trouble	Controls Module P1.8	
9	Output	Module P2.1 Active	Module P2.1 Trouble	Controls Module P2.1	
10	Output	Module P2.2 Active	Module P2.2 Trouble	Controls Module P2.2	
11	Output	Module P2.3 Active	Module P2.3 Trouble	Controls Module P2.3	
12	Output	Module P2.4 Active	Module P2.4 Trouble	Controls Module P2.4	
13	Output	Module P2.5 Active	Module P2.5 Trouble	Controls Module P2.5	
14	Output	Module P2.6 Active	Module P2.6 Trouble	Controls Module P2.6	
15	Output	Module P2.7 Active	Module P2.7 Trouble	Controls Module P2.7	
16	Output	Module P2.8 Active	Module P2.8 Trouble	Controls Module P2.8	
17	Output	Module P3.1 Active	Module P3.1 Trouble	Controls Module P3.1	
18	Output	Module P3.2 Active	Module P3.2 Trouble	Controls Module P3.2	
19	Output	Module P3.3 Active	Module P3.3 Trouble	Controls Module P3.3	
20	Output	Module P3.4 Active	Module P3.4 Trouble	Controls Module P3.4	
21	Output	Module P3.5 Active	Module P3.5 Trouble	Controls Module P3.5	
22	Output	Module P3.6 Active	Module P3.6 Trouble	Controls Module P3.6	
23	Output	Module P3.7 Active	Module P3.7 Trouble	Controls Module P3.7	
24	Output	Module P3.8 Active	Module P3.8 Trouble	Controls Module P3.8	
25	Output	Module P4.1 Active	Module P4.1 Trouble	Controls Module P4.1	
26	Output	Module P4.2 Active	Module P4.2 Trouble	Controls Module P4.2	
27	Output	Module P4.3 Active	Module P4.3 Trouble	Controls Module P4.3	
28	Output	Module P4.4 Active	Module P4.4 Trouble	Controls Module P4.4	
29	Output	Module P4.5 Active	Module P4.5 Trouble	Controls Module P4.5	
30	Output	Module P4.6 Active	Module P4.6 Trouble	Controls Module P4.6	
31	Output	Module P4.7 Active	Module P4.7 Trouble	Controls Module P4.7	
32	Output	Module P4.8 Active	Module P4.8 Trouble	Controls Module P4.8	
33	Output	Module P5.1 Active	Module P5.1 Trouble	Controls Module P5.1	
34	Output	Module P5.2 Active	Module P5.2 Trouble	Controls Module P5.2	
35	Output	Module P5.3 Active	Module P5.3 Trouble	Controls Module P5.3	
36	Output	Module P5.4 Active	Module P5.4 Trouble	Controls Module P5.4	
37	Output	Module P5.5 Active	Module P5.5 Trouble	Controls Module P5.5	
38	Output	Module P5.6 Active	Module P5.6 Trouble	Controls Module P5.6	
39	Output	Module P5.7 Active	Module P5.7 Trouble	Controls Module P5.7	
40	Output	Module P5.8 Active	Module P5.8 Trouble	Controls Module P5.8	
41	Output	Module P6.1 Active	Module P6.1 Trouble	Controls Module P6.1	
42	Output	Module P6.2 Active	Module P6.2 Trouble	Controls Module P6.2	
43	Output	Module P6.3 Active	Module P6.3 Trouble	Controls Module P6.3	
44	Output	Module P6.4 Active	Module P6.4 Trouble	Controls Module P6.4	
45	Output	Module P6.5 Active	Module P6.5 Trouble	Controls Module P6.5	
46	Output	Module P6.6 Active	Module P6.6 Trouble	Controls Module P6.6	
47	Output	Module P6.7 Active	Module P6.7 Trouble	Controls Module P6.7	
48	Output	Module P6.8 Active	Module P6.8 Trouble	Controls Module P6.8	
49	Output	Module P7.1 Active	Module P7.1 Trouble	Controls Module P7.1	
50	Output	Module P7.2 Active	Module P7.2 Trouble	Controls Module P7.2	
51	Output	Module P7.3 Active	Module P7.3 Trouble	Controls Module P7.3	
52	Output	Module P7.4 Active	Module P7.4 Trouble	Controls Module P7.4	
53	Output	Module P7.5 Active	Module P7.5 Trouble	Controls Module P7.5	
54	Output	Module P7.6 Active	Module P7.6 Trouble	Controls Module P7.6	
55	Output	Module P7.7 Active	Module P7.7 Trouble	Controls Module P7.7	
56	Output	Module P7.8 Active	Module P7.8 Trouble	Controls Module P7.8	
57	Output	Module P8.1 Active	Module P8.1 Trouble	Controls Module P8.1	
58	Output	Module P8.2 Active	Module P8.2 Trouble	Controls Module P8.2	
59	Output	Module P8.3 Active	Module P8.3 Trouble	Controls Module P8.3	
60	Output	Module P8.4 Active	Module P8.4 Trouble	Controls Module P8.4	
61	Output	Module P8.5 Active	Module P8.5 Trouble	Controls Module P8.5	
62	Output	Module P8.6 Active	Module P8.6 Trouble	Controls Module P8.6	
63	Output	Module P8.7 Active	Module P8.7 Trouble	Controls Module P8.7	
64	Output	Module P8.8 Active	Module P8.8 Trouble	Controls Module P8.8	

Table 10 ACS Annunciator Selection Group 9

Notes