

Unimode 300/Unimode 400 Cabinets (AA Series)

PRODUCT INSTALLATION DRAWING

Document 50769 Rev B
Part Number 50769-B
ECN 98-213 05/11/98



Security Services, Inc.
1750 Clint Moore Road,
Boca Raton, FL 33431

Overview

The cabinet is a backbox and door that can contain a small Unimode 300/Unimode 400 system. A small system supports up to twelve NACs and consists of the CPU module and one option module. Modules mount to rails in the cabinet, eliminating the need for optional chassis assemblies. Mounting methods include surface-mounting or semi-flush mounting on a wall (with an optional TR-500) between 16-inch-on-center studs.

Component	Description
SBB-400	Backbox assembly.
ADT-DR-400AA	Door and dress panel with blank module filler plate.
BB-17 (option)	Battery box for 17 AH batteries.
TR-500 (option)	Trim ring that provides for semi-flush mounting of the cabinet.

Cabinet Limitations

- Limited power supply capacity (one APS-6R or one AVPS-24 expansion supply).
- Backbox can hold 12 amp-hour batteries only.
- Maximum of one module in addition to the CPU.
- No voice evacuation capability.
- An option module cannot have an expander if the system uses an APS-6R or AVPS-24 expansion supply.

Unpacking the Cabinet

Unpack the cabinet as follows:

Step	Action
1	Carefully unpack the cabinet and inspect for shipping damage.
2	Select a location for the cabinet in a clean, dry, vibration-free area with moderate temperature. Make sure this location is in a readily accessible area with sufficient room to easily install and maintain the control panel.

Preparing for Installation

Before installing the cabinet, note the following:

- Review the installation precautions listed in the Unimode 400 Installation Manual.
- All wiring must comply with the national and/or local codes for fire alarm systems.
- Count the number of conductors needed for all devices and find the appropriate knockouts.
- Do not draw wiring into the bottom 9 inches of the cabinet, except when using the BB-17. This prevents interference between the power supply and batteries.

Standards and Codes

In addition, installers should be familiar with the following standards:

- NEC Article 300 Wiring Methods
- NEC Article 760 Fire Protective Signaling Systems
- Applicable Local and State Building Codes
- Requirements of the Local Authority Having Jurisdiction

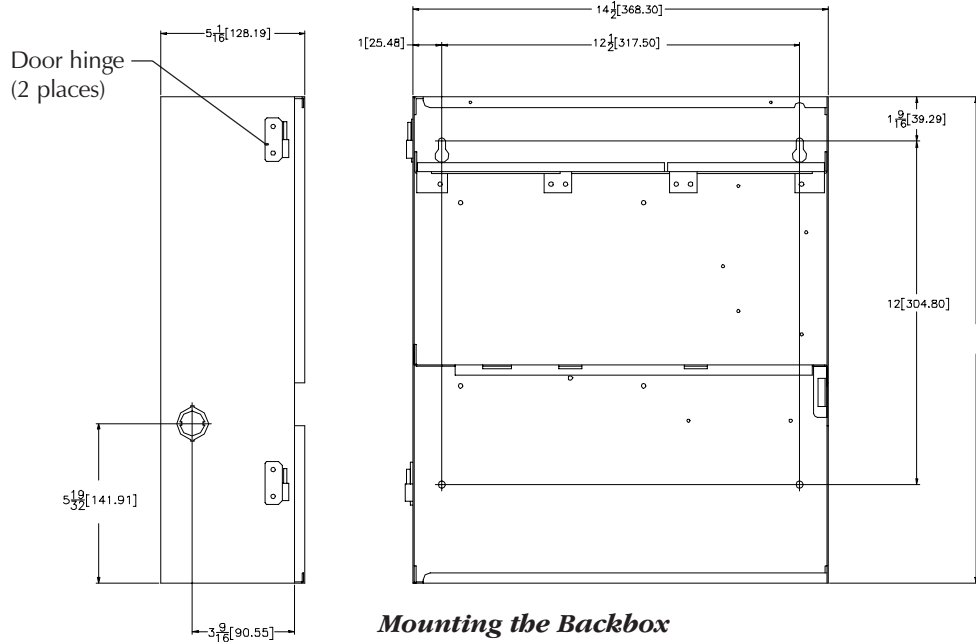
Mounting the Backbox



Caution: Unless you are familiar with the placement of components within this backbox, use only the knockout locations provided for conduit entry.

Mount the backbox on a surface in a clean, dry, vibration-free area. To install the backbox so the center of the control panel keypad measures 60 inches above the finished floor, follow these instructions:

- 1) Locate the cabinet so that the top edge is 66 inches above the surface of the finished floor.
- 2) Mount the backbox using the four mounting holes in the back surface of the backbox.

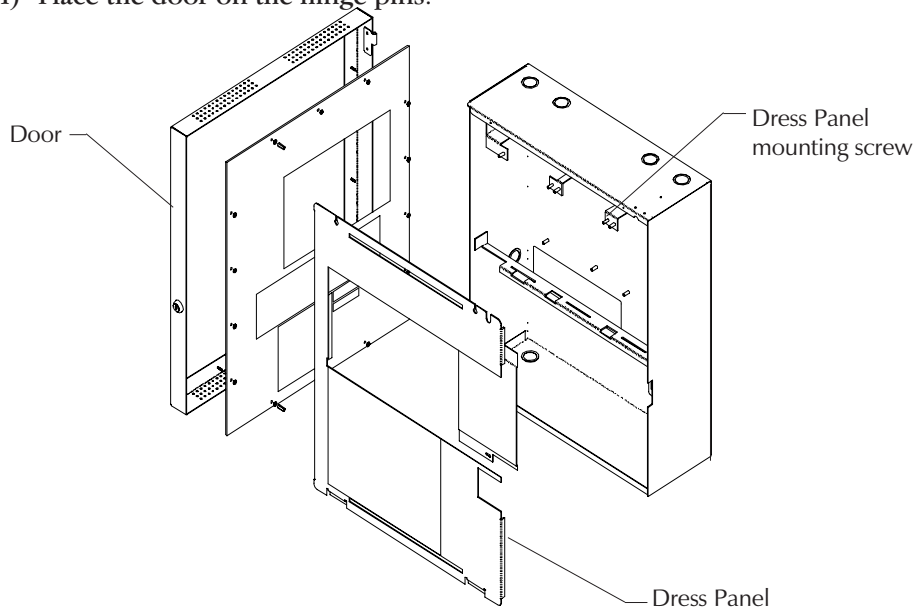


Mounting the Backbox

Assembling the Cabinet

Assemble the cabinet as follows.

- 1) Install the Dress Plate mounting screws.
- 2) Install control panel components (refer to the Unimode 400 Installation Manual).
- 3) Install the Dress Panel and tighten the mounting screws.
- 4) Place the door on the hinge pins.



Assembling the Cabinet