

Uni•Tility 400 External Programming Utility

PRODUCT INSTALLATION DRAWING

Document 50768 Rev B
Part Number 50768-B
ECN 98-213 5/11/98



Security Services, Inc.
1750 Clint Moore Road
Boca Raton, FL 33431

Overview

The Uni•Tility 400 Off Line Programming Utility lets you upload or download programs between the PC and the control panel. This document contains instructions for installing the Uni•Tility 400 external programming kit: (a) connecting a PC to the Unimode 300/Unimode 400; and (b) installing the Uni•Tility 400 program.

Minimum System Requirements

Minimum system requirements are a personal computer (processor 386 and up) with the following:

- 4MB RAM with a fixed disk
- Windows® 3.1 or higher
- VGA monitor

Windows® is a registered trademark of Microsoft Corporation


Programming Kit

The Uni•Tility 400 programming kit contains the following.

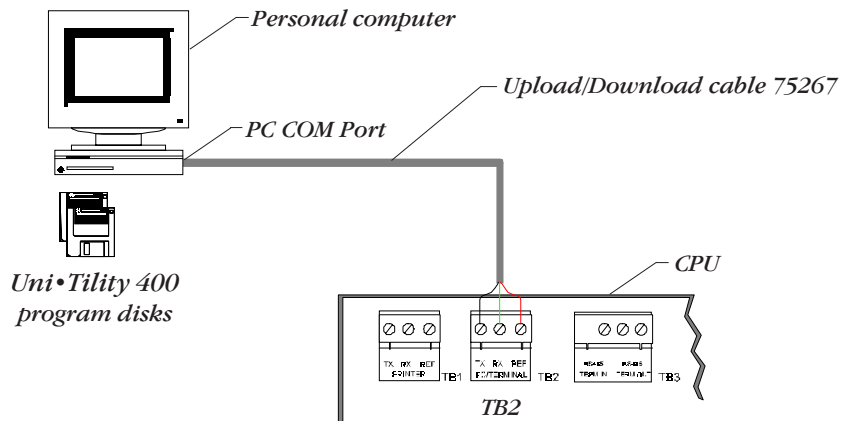
Item	Quantity	Part Number
Uni•Tility 400 program disk set	1	75492
Upload/Download cable	1	75267

Installation

Install the Uni•Tility 400 external programming kit as follows:

 For instructions on using the Uni•Tility 400 program, refer to the on-line help utility.
If using a modem, reverse the black and green wires on the Upload/Download cable.

Step	Action								
1	Connect one end of the Upload/Download cable to the PC communications port (COM1, COM2, COM3, or COM4).								
2	Connect the other end of the Upload/Download cable (PN 75267) to terminal block TB2 on the CPU as follows: <table border="1"><thead><tr><th>TB2 Terminal</th><th>Connect to...</th></tr></thead><tbody><tr><td>TX</td><td>black</td></tr><tr><td>RX</td><td>green</td></tr><tr><td>REF</td><td>red</td></tr></tbody></table>	TB2 Terminal	Connect to...	TX	black	RX	green	REF	red
TB2 Terminal	Connect to...								
TX	black								
RX	green								
REF	red								
3	Insert Uni•Tility 400 Program Disk 1 into your PC floppy disk drive.								
4	Read all "Readme" files on the program disks (if applicable).								
5	Start Windows and install the Uni•Tility 400 program by running the "Setup" file on Program Disk 1.								



External Programming Connections for the Unimode 400

