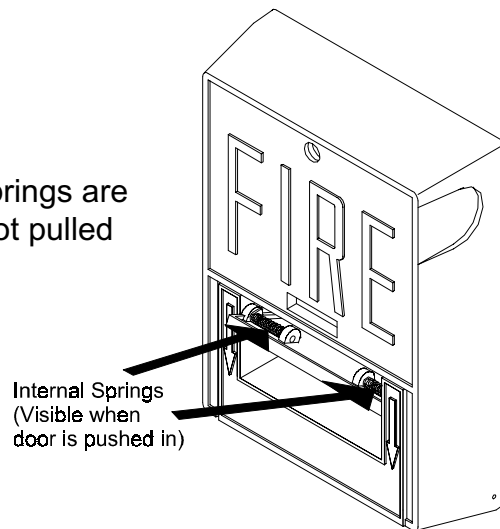


Installation Instructions for the BG-10 Series Pull Station Baffle Plate

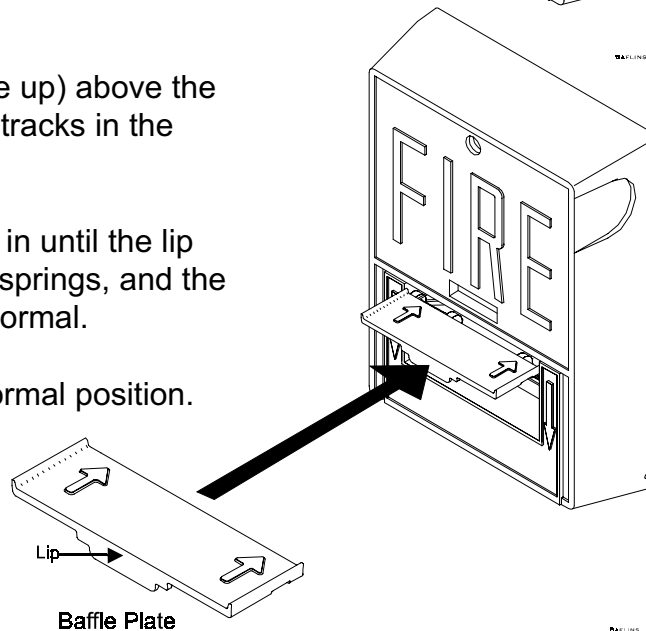
The BG-10 Series Pull Station Baffle Plate (Model BG-10BP) ensures that foreign objects, inserted into the unit maliciously, do not prevent the push mechanism from operating properly. Foreign objects, such as coins, can be inserted into the break glass slot or the space above the push mechanism when it is open. Once inserted, objects can fall behind the push mechanism, preventing it from operating properly. The baffle plate acts as a shelf, catching and holding the objects away from the push mechanism, preventing it from jamming.

Installation Instructions:

1. Push in the mechanism until the internal springs are visible. (Be certain that the pull handle is not pulled down for this operation).



2. Insert the Baffle Plate (arrow side up) above the internal springs, fitting it into the tracks in the handle.
3. Push the Baffle Plate all the way in until the lip settles between the two internal springs, and the push mechanism can return to normal.
4. Release the mechanism to its normal position.



NOTE: If inserting the Baffle Plate on already installed pull stations, ensure the applicable Initiating Device Circuit (Zone) is disabled to prevent unwanted alarm activations.

Document Number 50715

20 June 1997 Revision:

A

ECN 97-184