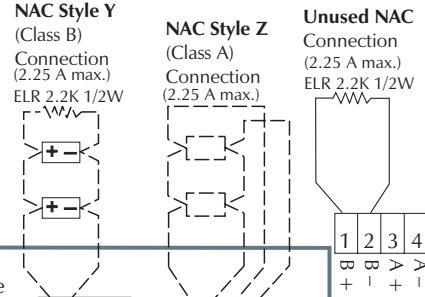


### Notes

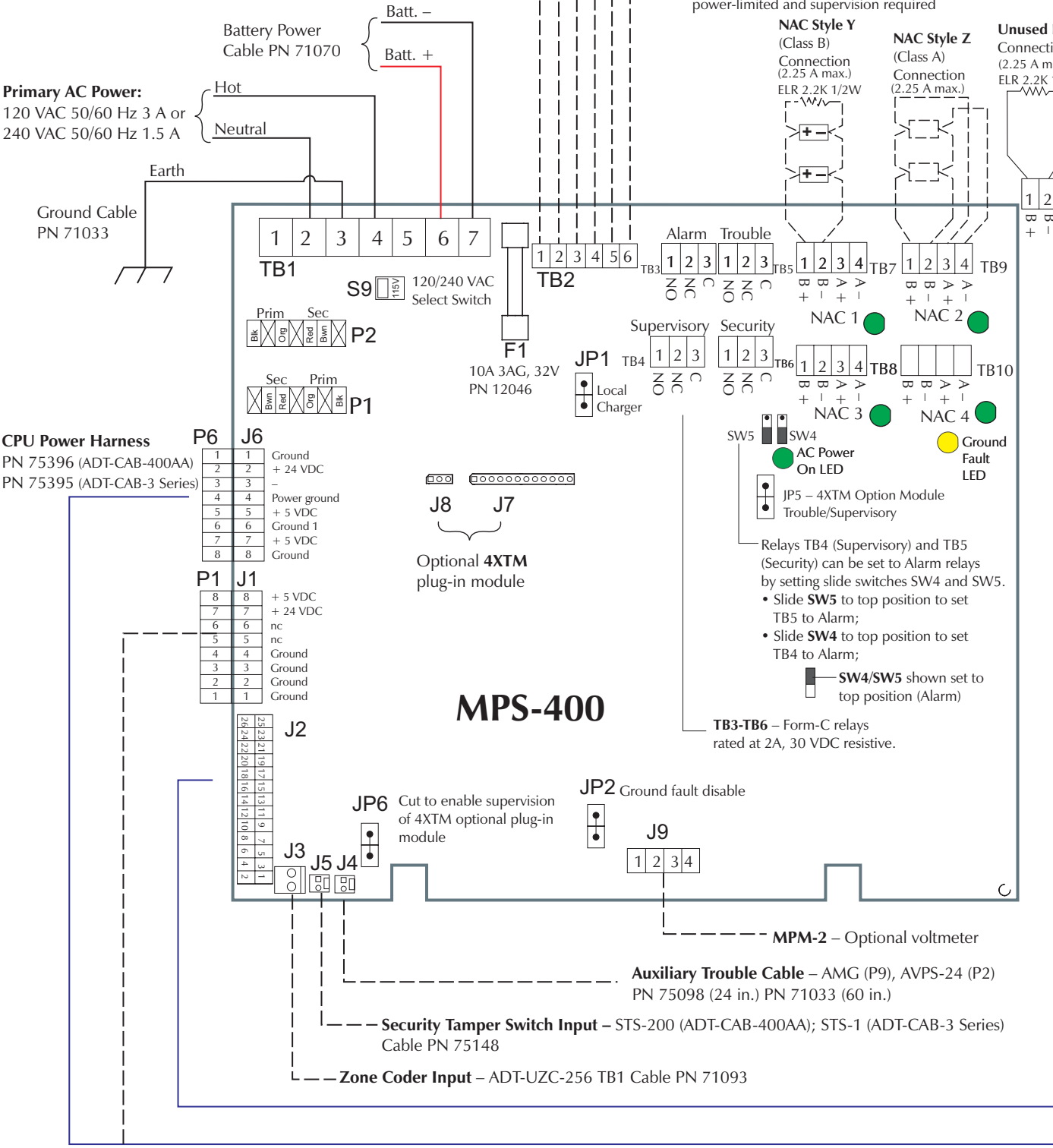
- Required Connection
- Optional Connection
- Refer to the Device Compatibility Document (A15378) for compatible devices.
- Total MPS-400 current drawn cannot exceed 6 A.
- Each SLC loop can connect up to 198 addressable devices.
- Part numbers for removable terminal blocks (TBx): 2-position (02082); 4-position (02084); 6-position (02086); 8-position (02088).

### DC Power Outputs (24 VDC)

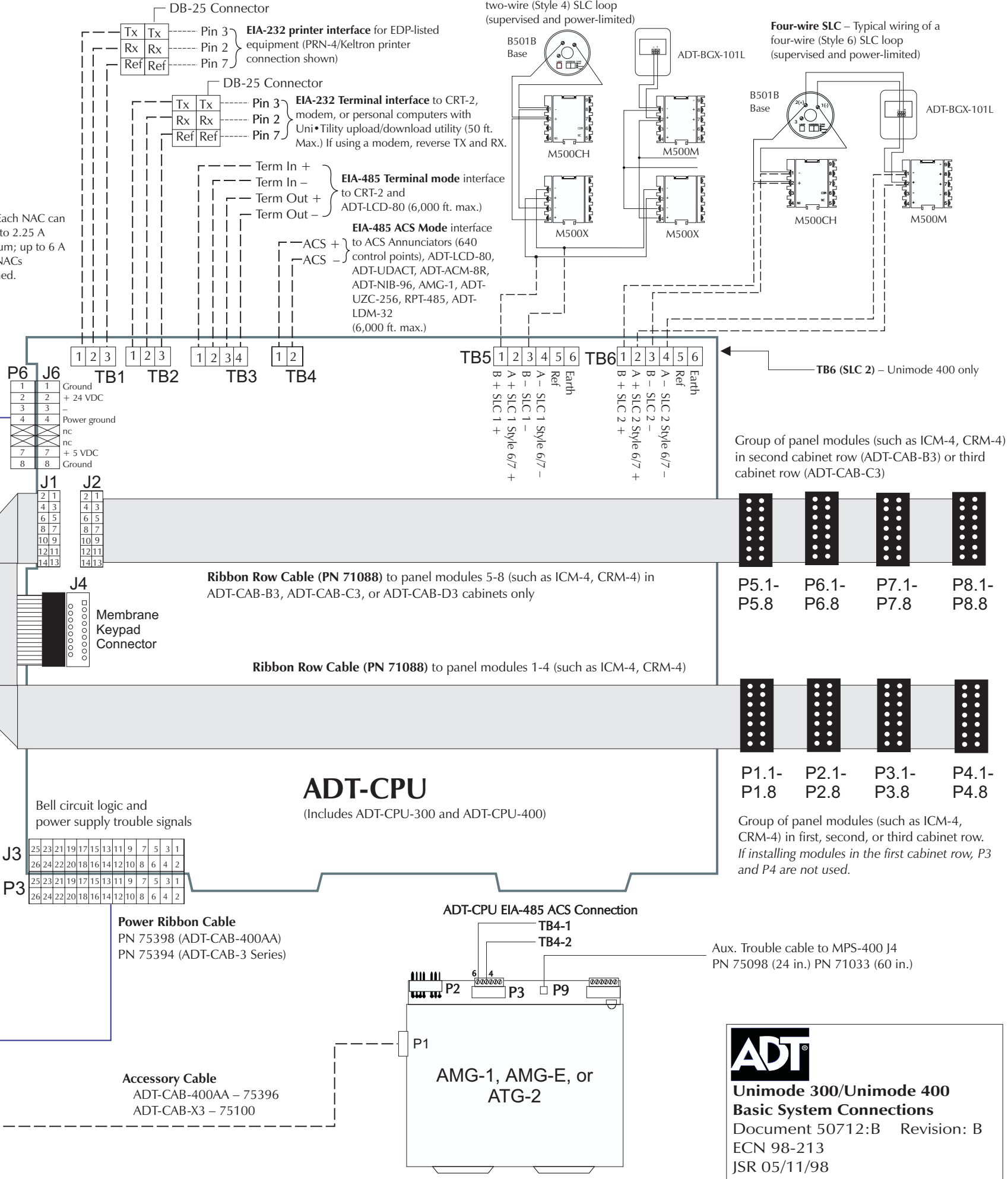
- Circuit 1** – regulated, filtered, nonresettable power (1.25 A) to ICM-4/ICE-4 (NAC circuits), annunciator circuits, UDACT (use bell power harness PN 71093)
- Circuit 2** – regulated, filtered, nonresettable power (1.25 A) to ICM-4/ICE-4 (NAC circuits), annunciator circuits, ADT-UDACT (use bell power harness PN 71093)
- Circuit 3** – regulated, filtered resettable (1.25 A) to four-wire smoke detectors or ACS annunciators, power-limited and supervision required



**Note:** Each NAC can use up to 2.25 A maximum; up to 6 A for all NACs combined.



## MPS-400



## ADT-CPU

(Includes ADT-CPU-300 and ADT-CPU-400)

**Unimode 300/Unimode 400 Basic System Connections**  
Document 50712:B Revision: B  
ECN 98-213  
JSR 05/11/98