

## AFP-300/AFP-400 Cabinets (AA Series)

### PRODUCT INSTALLATION DRAWING

Document 50392 Rev B  
Part Number 50392-B  
ECN 96-463 03/06/97



#### Overview

The cabinet is a backbox and door that can contain a small AFP-300/AFP-400 system. A small system supports up to twelve NACs and consists of the CPU module and one option module. Modules mount to rails in the cabinet, eliminating the need for optional chassis assemblies. Mounting methods include surface-mounting or semi-flush mounting on a wall (with an optional TR-500) between 16-inch-on-center studs.

#### Cabinet Limitations

- Limited power supply capacity (one AVPS-24 expander).
- Backbox can hold 12 amp-hour batteries only.
- Maximum of one module in addition to the CPU-400.
- No voice evacuation capability.

#### Unpacking the Cabinet

Unpack the cabinet as follows:

#### Preparing for Installation

Before installing the cabinet, read the following:

- Review the installation precautions listed in the AFP-300/AFP-400 Installation Manual.
- All wiring must comply with the National and/or Local codes for fire alarm systems.
- Count the number of conductors needed for all devices and find the appropriate knockouts.
- Do not draw wiring into the bottom 9 inches of the cabinet, except when using the BB-17. This prevents interference between the power supply and batteries.

#### Standards and Codes

In addition, installers should be familiar with the following standards:

- NEC Article 300 Wiring Methods
- NEC Article 760 Fire Protective Signaling Systems
- Applicable Local and State Building Codes
- Requirements of the Local Authority Having Jurisdiction

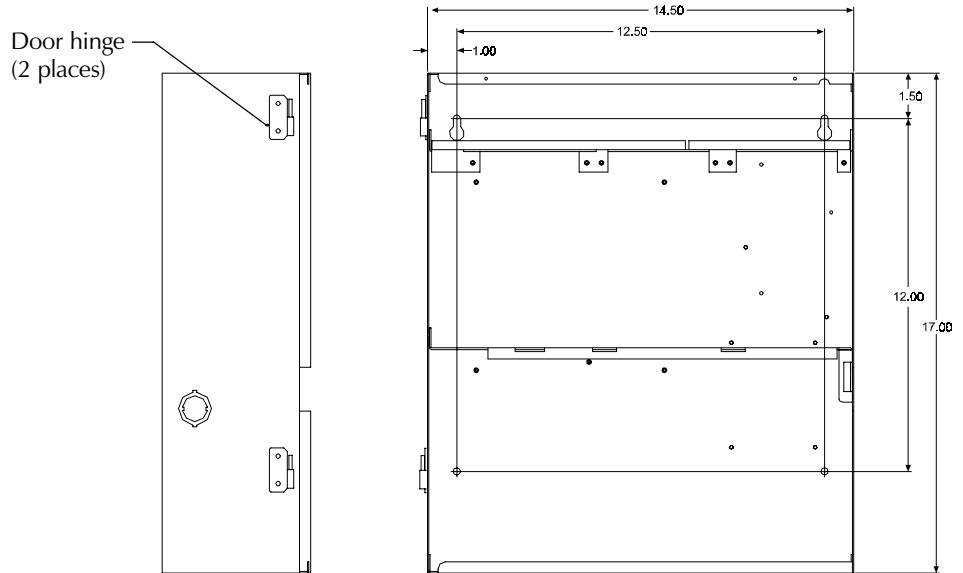
## Mounting the Cabinet



**Caution:** Unless you are familiar with the placement of components within this backbox, use only the knockout locations provided for conduit entry.

Mount a cabinet on a surface in a clean, dry, vibration-free area. To install the cabinet so the center of the control panel keypad measures 60 inches above the finished floor, follow these instructions:

- 1) Locate the cabinet so that the top edge is 66 inches above the surface of the finished floor.
- 2) Mount the backbox using the four mounting holes in the back surface of the backbox.

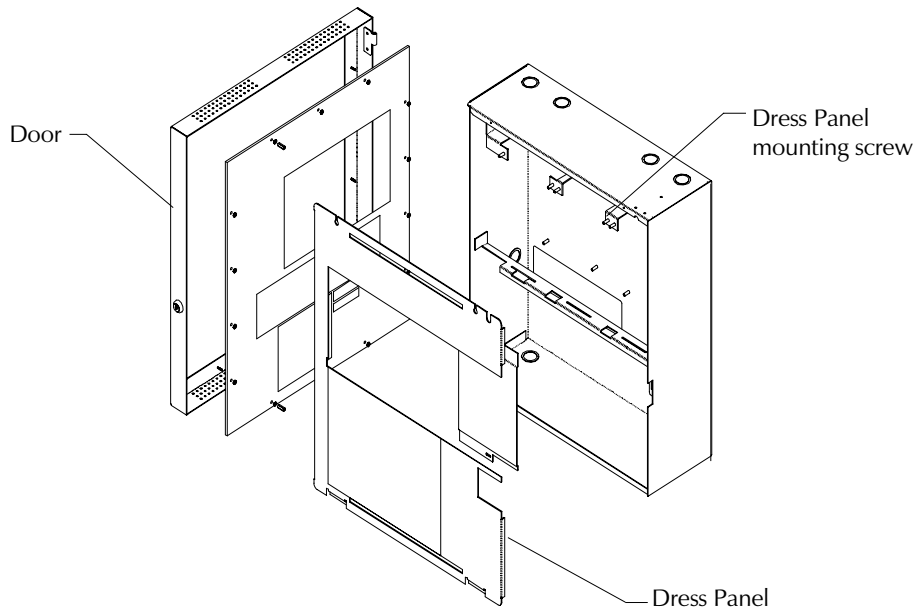


## Mounting the Cabinet

## Assembling the Cabinet

Assemble the cabinet as follows.

- 1) Install the Dress Plate mounting screws.
- 2) Install control panel components (refer to the AFP-300/AFP-400 Installation Manual).
- 3) Install the Dress Panel and tighten the mounting screws.
- 4) Place the door on the hinge pins.



## Assembling the Cabinet