

ADT
SUPPLEMENT
FOR VOICE ALARM SYSTEM

(MANUAL #A15890 Rev. A)

Document 50329 Rev A 6/27/95 ECN 95-305

In regards to all Voice Alarm System wiring, refer to the Unimode II Installation Manual (Document #A15583 Rev. C or higher) for power-limited wiring requirements. Note that power and EIA-485 communications wiring must be power-limited.

The AA-100 Audio Amplifier produces $70.7 V_{RMS}$. Whenever the AA-120 ($25 V_{RMS}$) Audio Amplifier is referenced, the information presented also refers to the AA-100 Audio Amplifier.

Replace page 30 with the following information which references power-limited and nonpower-limited circuits.

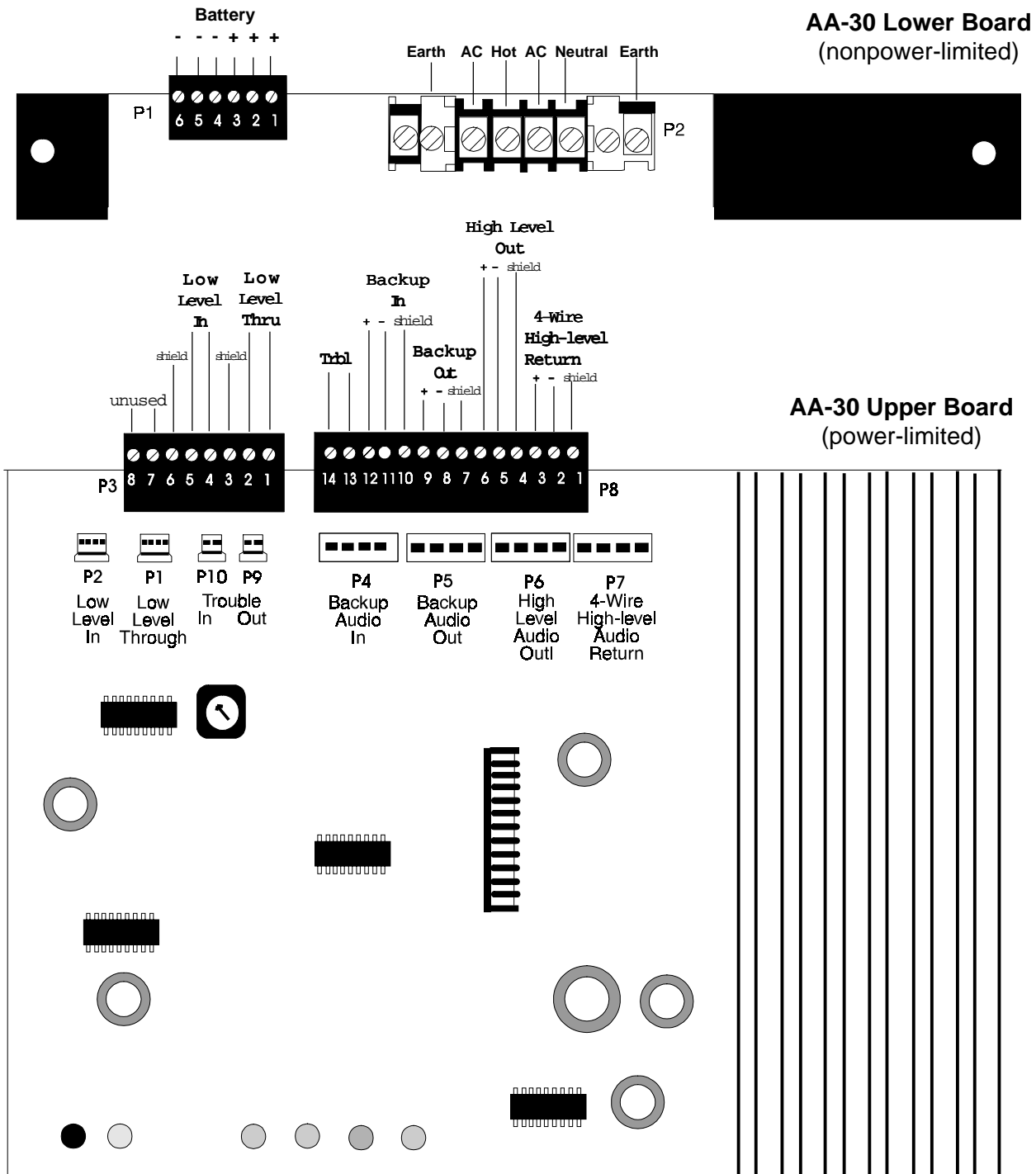


Figure 6-2: AA-30 Terminals and Connectors

Note: The low-level input and high-level output "P" connectors are primarily for in-cabinet applications where the wiring to or from the AA-30 remains in the cabinet. For "multiple-cabinet" applications, hard-wire the system using the terminal blocks P3 and P8.

Refer to the Unimode II Manual for UL power-limited wiring requirements.

Replace page 33 with the following information which references power-limited and nonpower-limited circuits.

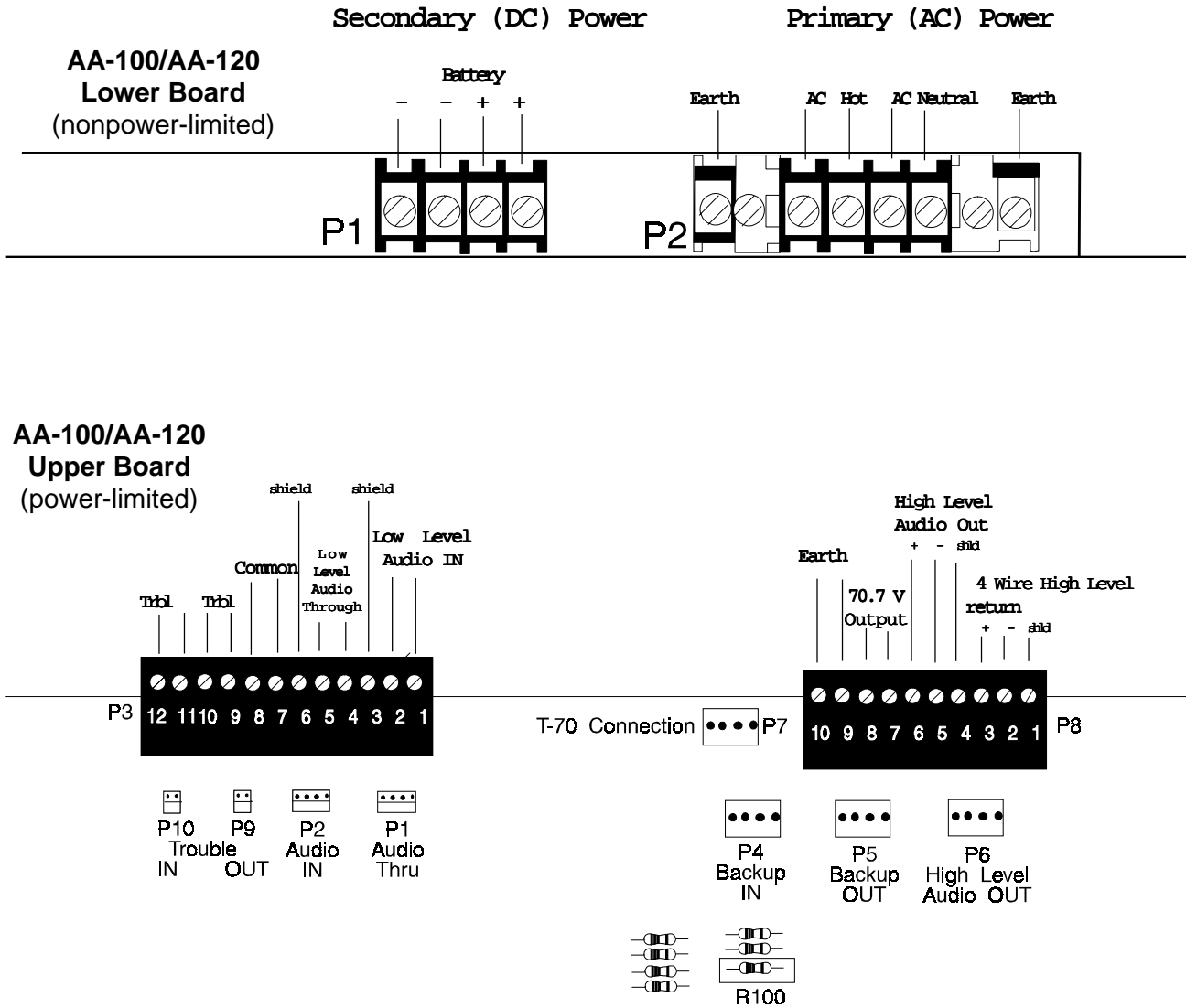


Figure 6-5: AA-100/AA-120 Terminals and Connectors

Note: The low-level input and high-level output connectors are primarily for in-cabinet applications where the wiring to or from the AA-100/AA-120 remains in the cabinet. For "multiple-cabinet" applications, use the terminals.

Refer to the Unimode II Manual for UL power-limited wiring requirements.

Replace page 42 with the following (new power supply):

Section Eight: System Configurations

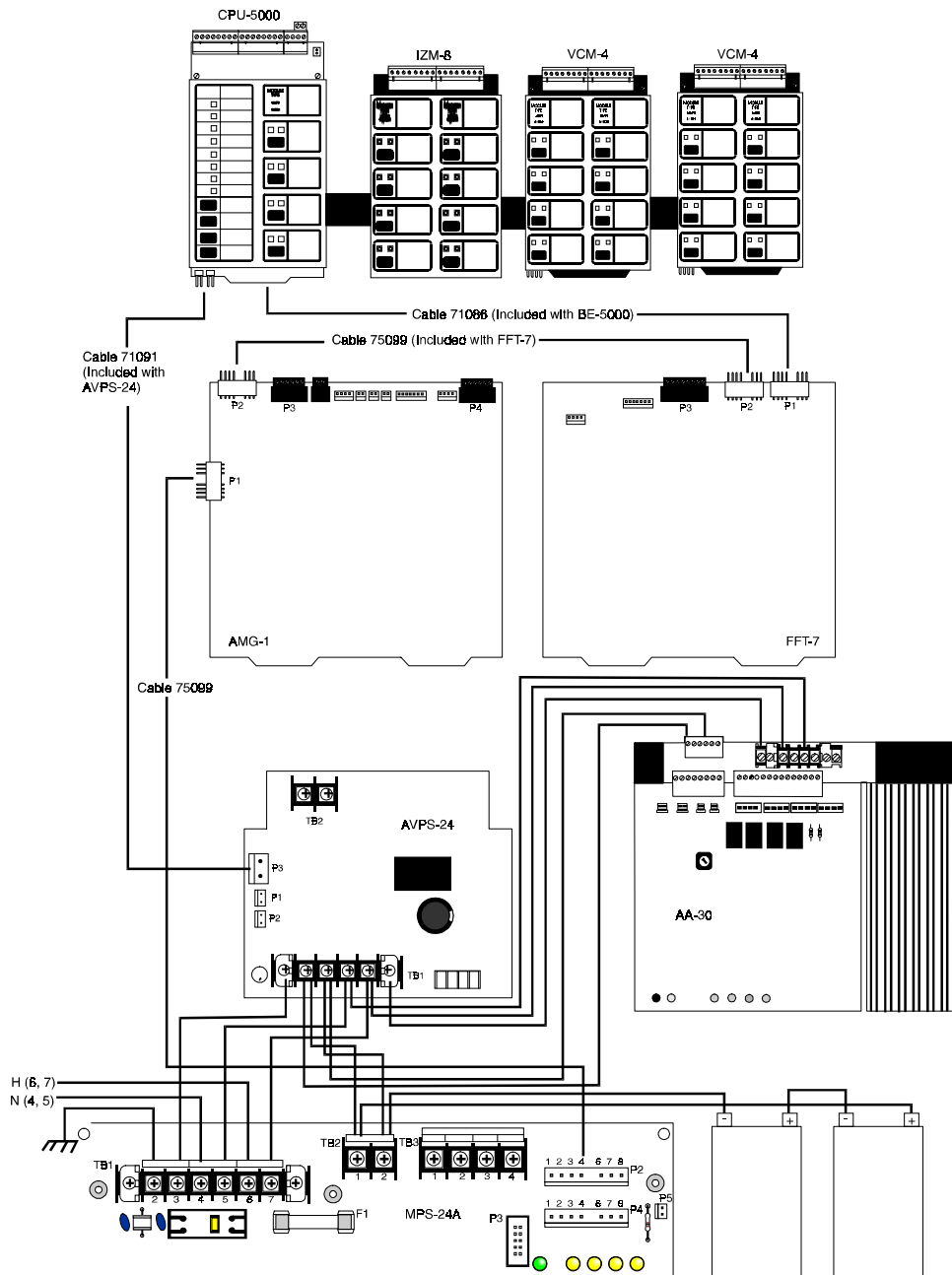
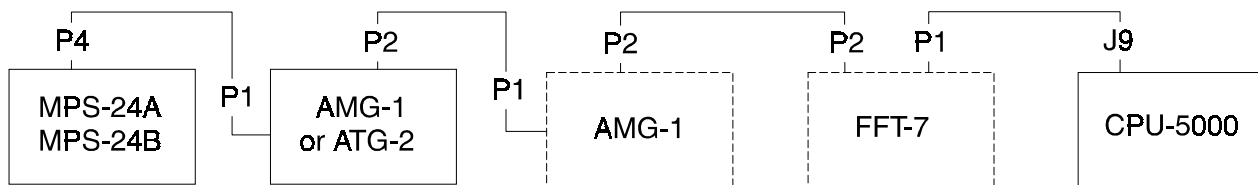


Figure 8-1: Internal Power Distribution

Notes:

1. P1 and P2 on AMG-1 and FFT-7 can be interchanged.
2. P2 and P4 on MPS-24A/B can be interchanged.
3. CPU can be connected directly to P4 on MPS-24A/B or P1 on FFT-7.



Distribution of Internal Power Block Diagram