

RZA-5F Remote Zone Annunciator Module


Product Installation Drawing

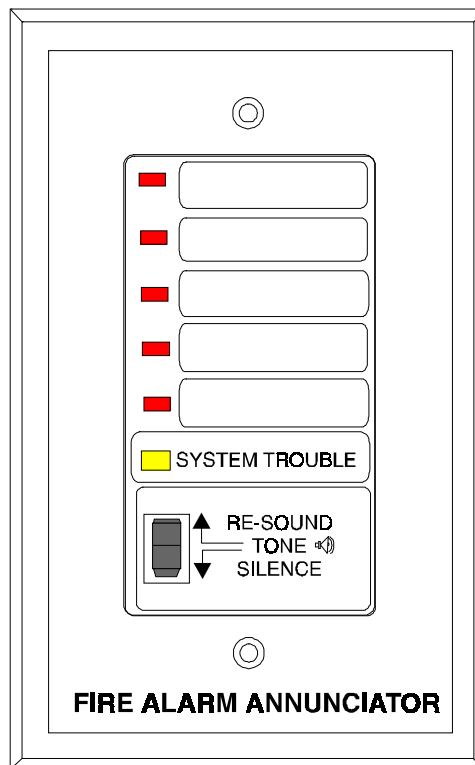
Document 15635 Rev B 7/31/97 ECN 97-321

RZA-5F Remote Annunciator

The RZA-5F Remote Annunciator mounts on a standard single-gang box, and provides LED indication.

A Local Trouble Sounder and Silence Switch are also provided. All LED wiring is supervised. Any trouble condition will cause the System Trouble LED to illuminate.

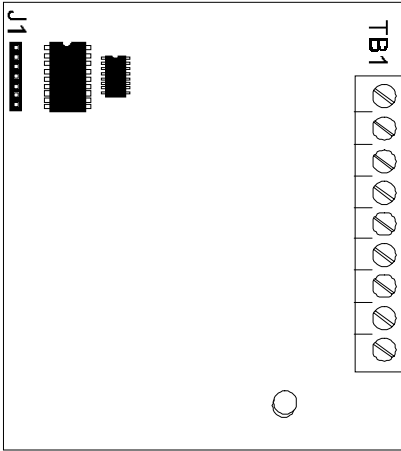
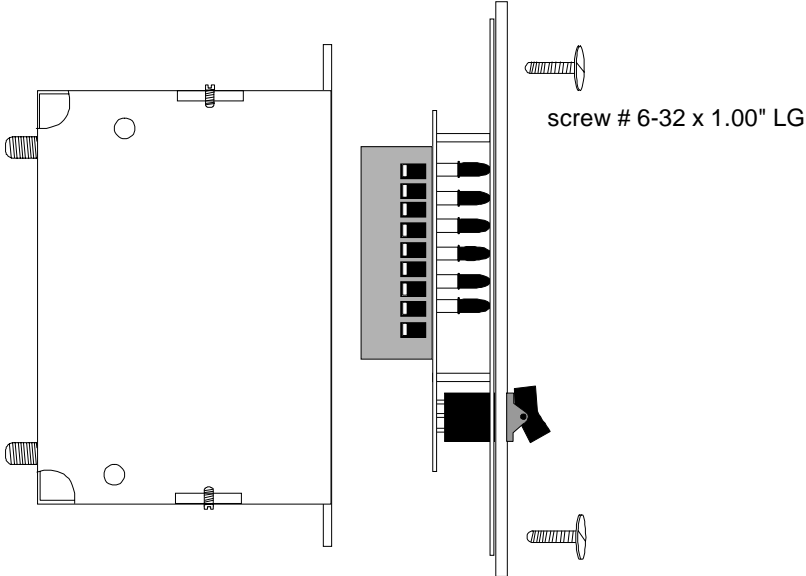
-  **Note:** The RZA-5F Remote Annunciator requires the use of an ADM-12 for 12 VDC fire alarm control panels or an ADM-24 for 24 VDC fire alarm control panels.



**Fire-Lite
Alarms Inc.**

12 Clintonville Road, Northford, CT 06472 (203) 484-7161 FAX: (203) 484-7118

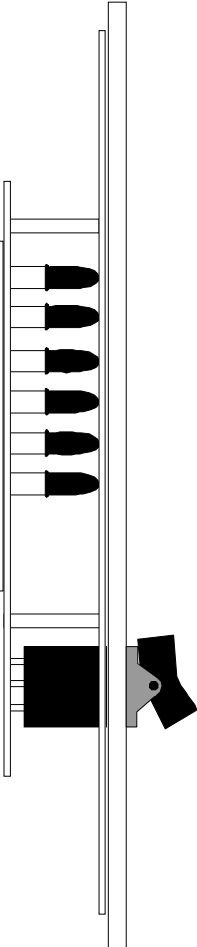
Figure 1 - Installation of the RZA-5F



ADM-12 or ADM-24

- | | | | | | | |
|---|-------|----------------|---|---|---|---|
| 1 | ----- | + VDC | → | 1 | □ | ▶ |
| 2 | ----- | Out #1 | → | 2 | □ | ▶ |
| 3 | ----- | Out #2 | → | 3 | □ | ▶ |
| 4 | ----- | Out #3 | → | 4 | □ | ▶ |
| 5 | ----- | Out #4 | → | 5 | □ | ▶ |
| 6 | ----- | Out #5 | → | 6 | □ | ▶ |
| 7 | ----- | System Trouble | → | 7 | □ | ▶ |
| 8 | ----- | Sound | → | 8 | □ | ▶ |
| 9 | ----- | Resound | → | 9 | □ | ▶ |

*Note: Make wiring connections with system power off.
Maximum wire impedance is 100 ohm per wiring connection.*



RZA-5F