

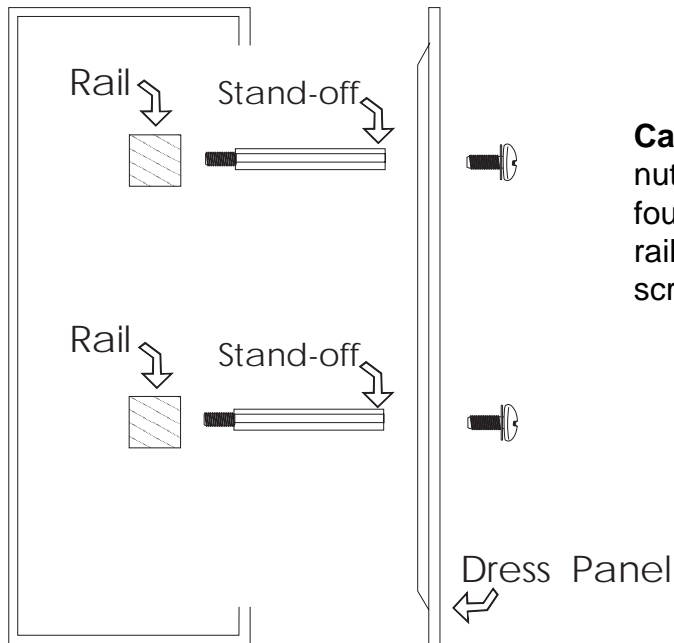
DP-4XF

Product Installation Drawing

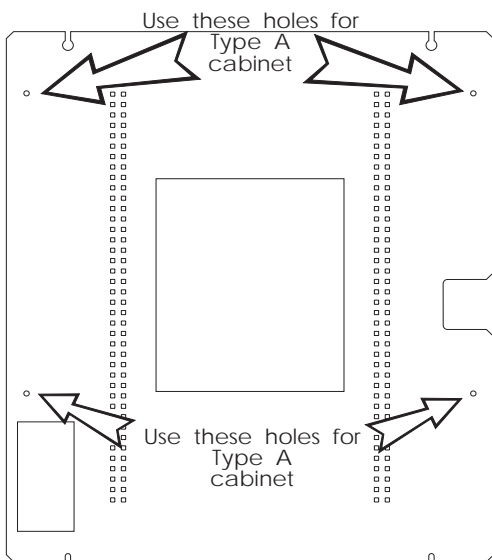
Document 15619 Rev:A 11/24/92

P/N 15619:A ECN 92-197

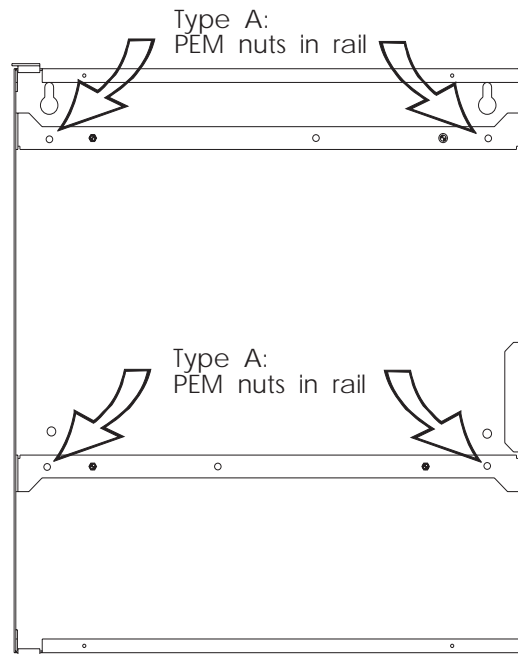
The DP-4XF Kit includes the dress panel, four screws, and four stand-offs. To install the DP-4XF on the 4X backbox, you must first determine which type of backbox you have.



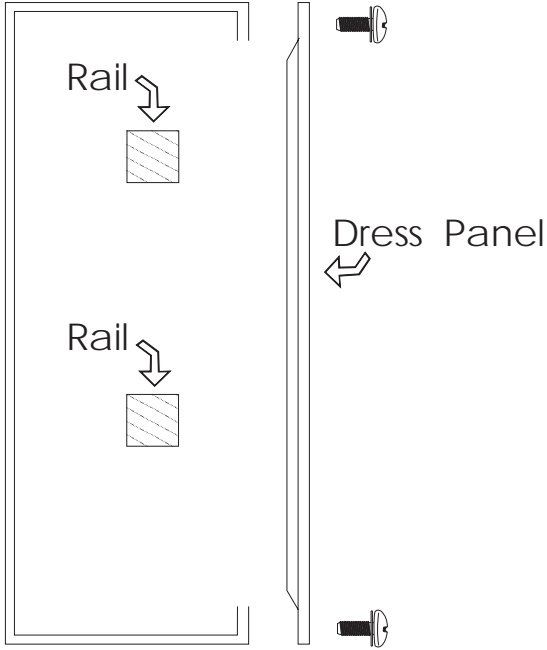
Cabinet Type A: This backbox has PEM nuts on the rails inside the box. Screw the four 1-15/16" standoffs into the nuts in the rails. Then secure the dress panel with the screws provided.



DP-4XF Dress Panel

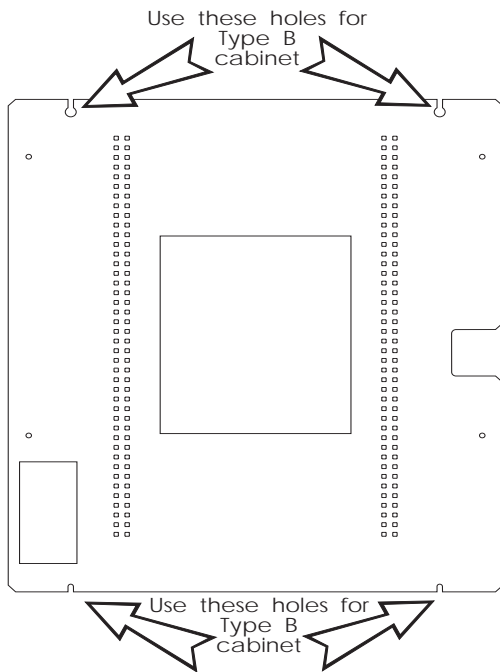


4X Backbox

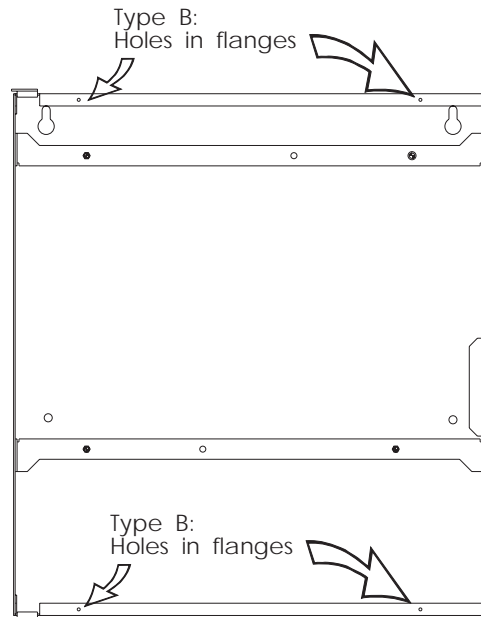


Cabinet Type B: This backbox has no PEM nuts in the rails but rather, has holes on the top and bottom flanges. Secure the dress panel to the backbox with the screws provided.

NOTE: If the meter option is not to be used, install the plate with the two screws provided over the meter hole.



DP-4XF Dress Panel



4X Backbox