

The DP-4X Kit includes the dress panel, four screws, and four stand-offs. To install the DP-4X on the 4X backbox, you must first determine which type of backbox you have.

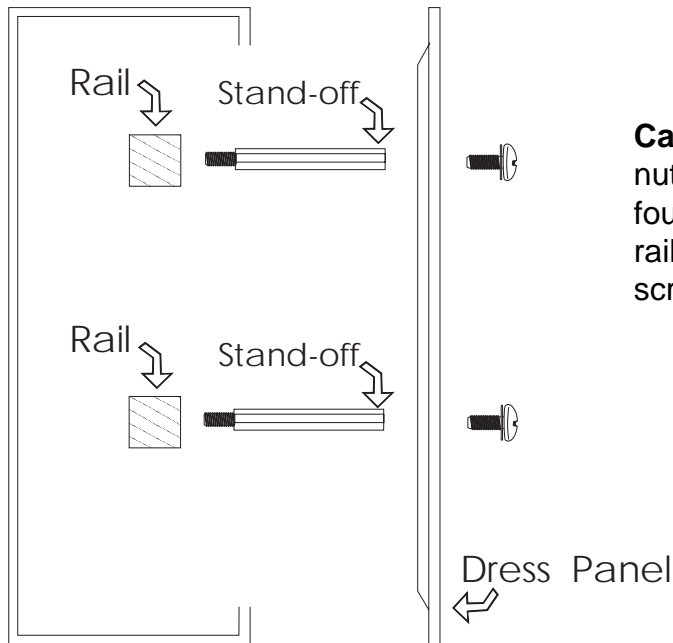
DP-4X

Product Installation Drawing

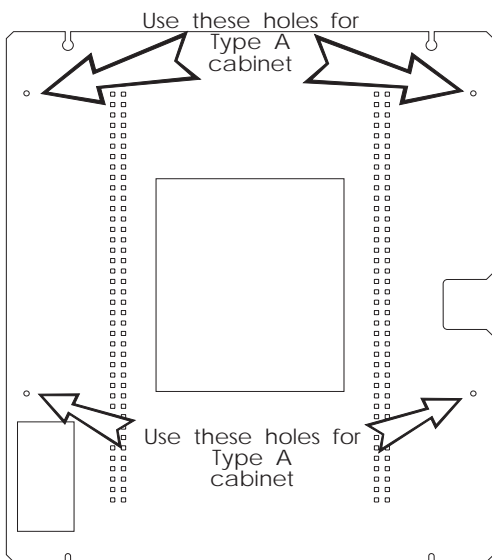
Document 15509 Rev:A

8/28/92

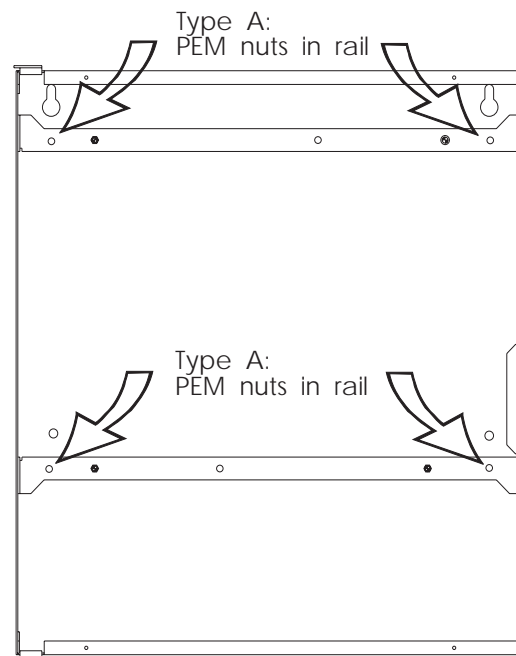
P/N 15509:A ECN 92-109



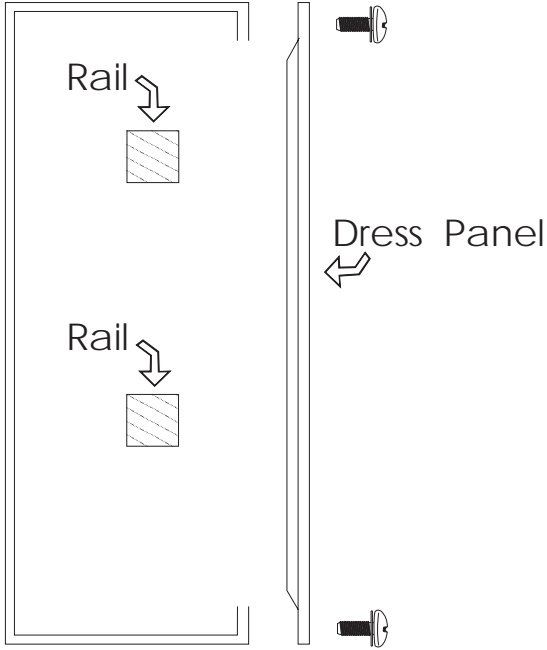
Cabinet Type A: This backbox has PEM nuts on the rails inside the box. Screw the four 1-15/16" standoffs into the nuts in the rails. Then secure the dress panel with the screws provided.



DP-4X Dress Panel

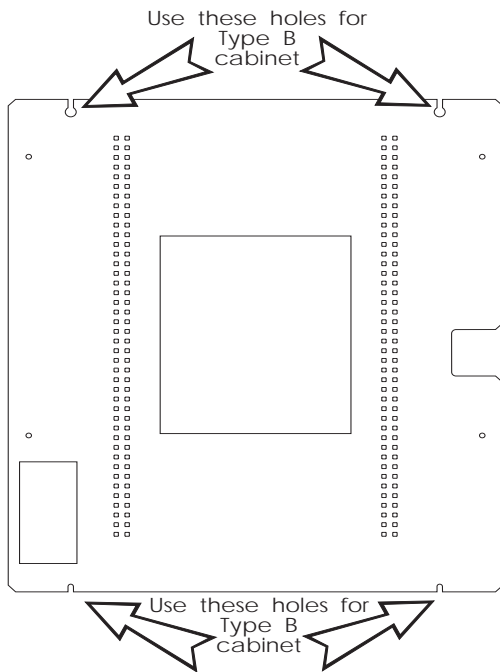


4X Backbox

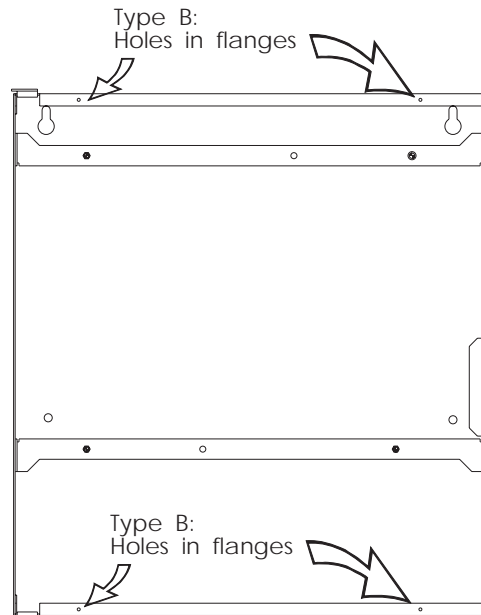


Cabinet Type B: This backbox has no PEM nuts in the rails but rather, has holes on the top and bottom flanges. Secure the dress panel to the backbox with the screws provided.

NOTE: If the meter option is not to be used, install the plate with the two screws provided over the meter hole.



DP-4X Dress Panel



4X Backbox