

Note: The switch rating is 3 amps @ 30 Volts AC/DC

- Denotes solder connection

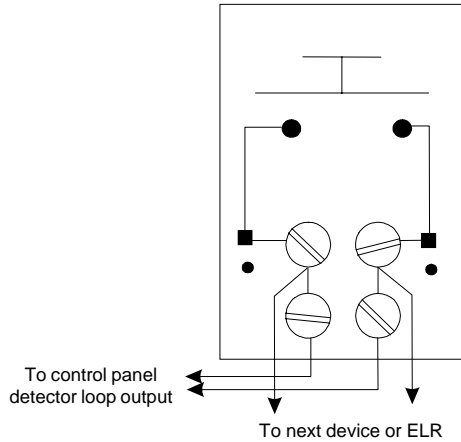
BG-10 Series

Manual Pull Station

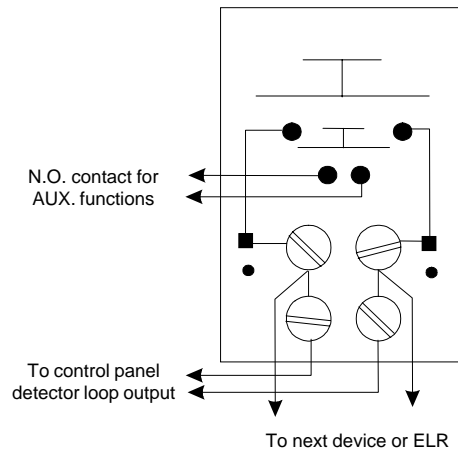
Product Installation Drawing

Document 15486 Rev: F 9/04/96 ECN 96-323

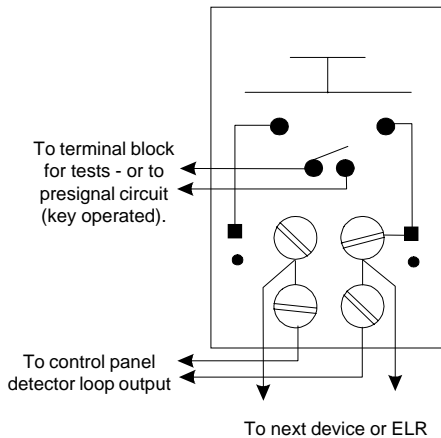
**BG-10, BG-10L, BG-10WP,
BG-10SP, HR-10, AR-10F**



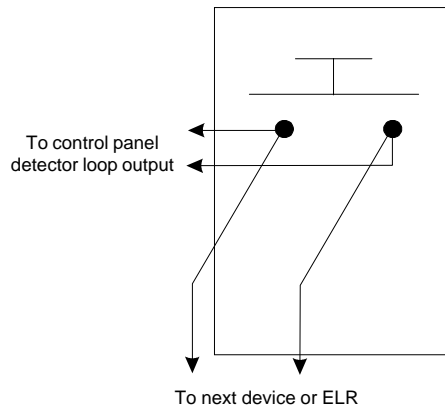
BG-10A



BG-10P/T



BG-10N



Description

The **BG-10 Series Pull Stations** are non-coded, dual-action, normally-open manual pull stations with the following options: **BG10A** (with AUX. switch); **BG-10L** (with key for reset); **BG-10P/T** (with key for presignal or test); **BG-10N** (without terminal block); **BG-10WP** (BG-10 enclosed in a weatherproof backbox); **HR 10** (Halon Release, with wiring the same as the BG-10); **AR-10F** (Agent Release, with wiring the same as the BG-10).

BG-10 Series Operation

When the dual-action door is pushed in and the handle pulled down, the N.O. push-type switches will close. The handle cannot be restored to its normal position until the station is manually reset by unscrewing the hex screw and pivoting the case downward, away from the backplate. When the handle is restored, return the case to its normal position and secure with the hex screw. Note: The BG-10L utilizes a mechanical key instead of a hex screw. The microswitch of the BG-10P/T is activated by rotating a key clockwise. The key cannot be removed while in this position.



Fire-LITE® Alarms
INCORPORATED

12 Clintonville Road, Northford, CT 06472

Phone: 203-484-7161

FAX: 203-484-7118