

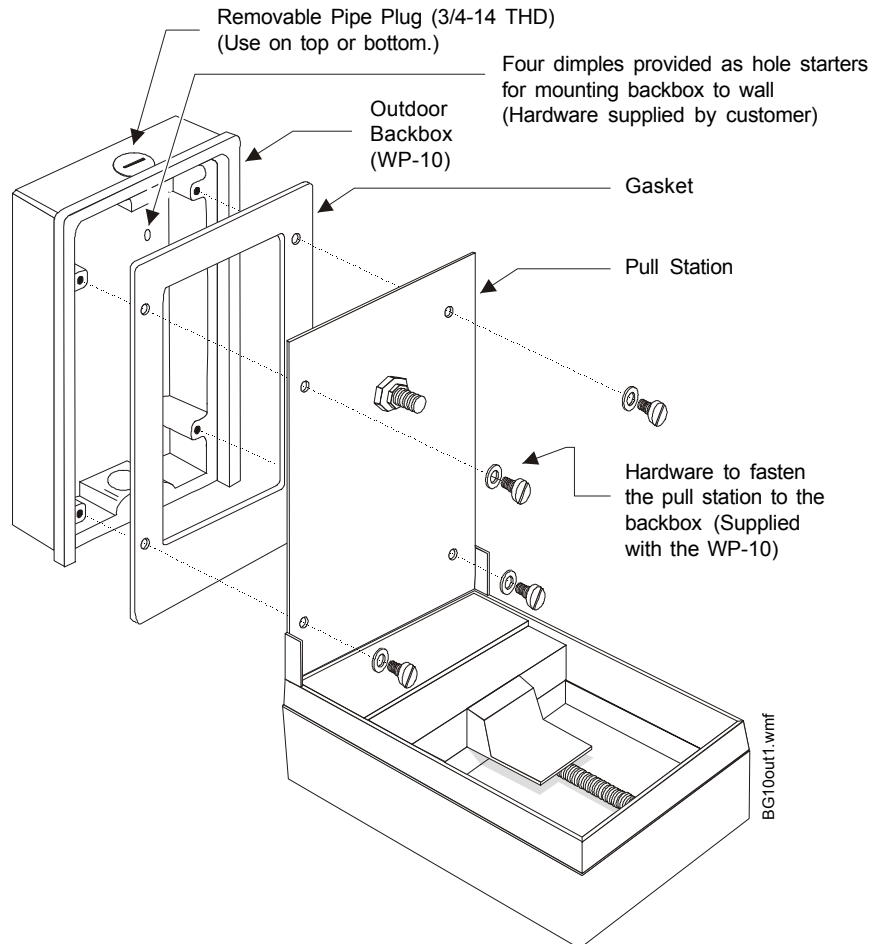
## BG-10WP Outdoor Pull Station

### PRODUCT INSTALLATION DRAWING

Document 15452 Revision D ECN 00-236 04/24/00

#### Installation Procedure

1. Mount outdoor backbox to conduit pipe (top or bottom).
2. Remove paper backing from gasket and secure to backbox.
3. Connect wires from conduit to pull station terminal block.
4. Attach pull station using hardware supplied with WP-10.



#### Use With Rear-access Conduit

If the installation requires running conduit through the rear of the backbox, drill a new access hole and plug the unused holes on top & bottom. Use UL Listed plugs or ones similar to the one supplied.

Per UL requirements, this hole must be located where the raised lettering will not be damaged. There is a space of 1.875 in. (47.625 mm) available between the lettering and the lower edge of the backbox.

Only UL Listed Liquid-Tight Flexible Metal Conduit Fittings (Category Control Number DWTT) are suitable for use with these backboxes.

