

## Warranty

Digital Security Controls Ltd. warrants that for a period of 12 months from the date of purchase, the product shall be free of defects in materials and workmanship under normal use and that in fulfillment of any breach of such warranty, Digital Security Controls Ltd. shall, at its option, repair or replace the defective equipment upon return of the equipment to its repair depot. This warranty applies only to defects in parts and workmanship and not to damage incurred in shipping or handling, or damage due to causes beyond the control of Digital Security Controls Ltd. such as lightning, excessive voltage, mechanical shock, water damage, or damage arising out of abuse, alteration or improper application of the equipment.

The foregoing warranty shall apply only to the original buyer, and is and shall be in lieu of any and all other warranties, whether expressed or implied and of all other obligations or liabilities on the part of Digital Security Controls Ltd. Digital Security Controls Ltd. neither assumes responsibility for, nor authorizes any other person purporting to act on its behalf to modify or to change this warranty, nor to assume for it any other warranty or liability concerning this product.

In no event shall Digital Security Controls Ltd. be liable for any direct, indirect or consequential damages, loss of anticipated profits, loss of time or any other losses incurred by the buyer in connection with the purchase, installation or operation or failure of this product.

**WARNING:** Digital Security Controls Ltd. recommends that the entire system be completely tested on a regular basis. However, despite frequent testing, and due to, but not limited to, criminal tampering or electrical disruption, it is possible for this product to fail to perform as expected

**IMPORTANT INFORMATION:** Changes or modifications not expressly approved by Digital Security Controls Ltd. could void the user's authority to operate this equipment.



DSC® Home Systems is a division of Digital Security Controls Ltd.

©2001 Digital Security Controls Ltd.  
Toronto, Canada

1-800-387-3630 • [www.dsc.com](http://www.dsc.com)

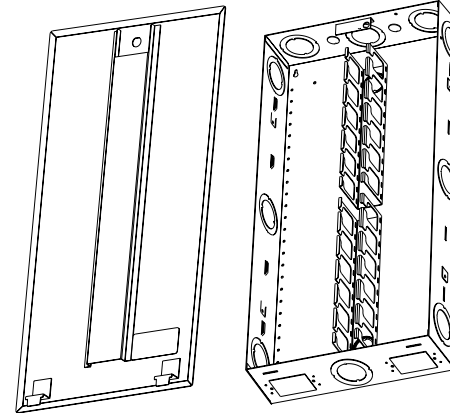
Printed in Canada 29034481 R002



## HS-CAB2800 Cabinet

### Installation Instructions

## Introduction



The HS-CAB2800 is a DSC Concourse Home Wiring System Solution cabinet specifically designed to house and to protect the Concourse Home Systems telecom, data, video, security, audio, automation and other modules. Large knockouts are provided at the top, sides, back and bottom of the cabinet for flexible cable routing. There are also two single gang electrical knockouts at the bottom of the cabinet. The HS-CAB2800 cabinet can either be flush mounted between standard 16 inch centered studs or surface mounted.

## Contents of Package

Qty 1	Cabinet
Qty 1	Cabinet door
Qty 1	Lockset
Qty 2	Raceway covers

## Dimensions

<b>Cabinet:</b>	Height 28.5in (724mm)
	Width 14.25in (362mm)
<b>Cover:</b>	Height 29.6in (752mm)
	Width 15.3in (389mm)

## Installation Instructions

### Location

1. Choose a location where the temperature will not drop below 0°C or go above 50°C and where the humidity will not create condensate on the cabinet or on the installed modules. Locating the cabinet in a garage, attic or damp basement is not recommended.
2. Install the cabinet in an easily accessed location for service and future upgrades, and within 2 feet of a 110VAC outlet. Alternatively, the outlet may be located in the bottom of the cabinet using the provided knockout(s).
3. For limitations regarding cabinet locations, please consult local electrical and building codes.

## Flush-mount Installation

(Assumes installation between 2 x 4 or larger studs on 16" centers, 14.25" opening.)

1. Position the cabinet between the studs with the front of the cabinet protruding to the level of the finished wall and allowing for front cover installation. For example, if 5/8" drywall is to be used, extend the cabinet at least 5/8" past the studs. Hold the cabinet in place and mark the position of the four pull-out mounting tabs.
2. Set the cabinet down and drill pilot holes for the four mounting screws.
3. Place the cabinet in position and secure with the screws (#6 x 3/4" pan head wood screws, not supplied).
4. Remove knockouts as required and install cable protection grommets (not supplied) in the holes.

## Surface-mount Installation

(Assumes installation will be on plywood backboard.)

1. Install a 3/4" plywood backboard to the wall studs using three #10 x 2 1/2" wood screws (not supplied) per side. Allow sufficient clearance for the cabinet and access to the knockouts.
2. Position the cabinet at a suitable height and mark the location of the upper mounting holes.
3. Set the cabinet down and drill pilot holes for the upper mounting screws.
4. Install the upper mounting screws (#6 x 3/4" pan head wood screws, not supplied) but do not fully tighten.
5. Hang the cabinet on the upper mounting screws, mark the knockout holes and the bottom mounting screw locations.
6. Remove the cabinet and cut the cable access holes in the plywood, removing any rough edges.
7. Install cable protection grommets (not supplied) in the holes in the back of the cabinet.
8. Hang the cabinet on the upper mounting screws, install the bottom mounting screws (#6 x 3/4" pan head wood screws, not supplied) and tighten the upper mounting screws.
9. Remove other knockouts as required and install cable protection grommets (not supplied) in the holes.

## Wiring Instructions

All cables are low voltage or communications cables. Observe good wiring practices and install according to appropriate wiring codes. Maintain proper separation of these cables from 110/220VAC power cables and use proper cable management and labeling techniques.

Route all cables into the cabinet through the raceway. Allow sufficient length at both ends of the run to avoid stress and for proper termination and trim-out. Label each cable at both ends for easier identification.

Position and secure all cables, complying with applicable codes. Use good wiring practices to avoid damage during construction.

Refer to module installation instructions for specific wiring and termination practices for each application.

## Important

All requirements for installation of CAT5 and coaxial cable should be met for proper operation of connected equipment. Do not strip off cable sheathing more than required for proper termination. Do not kink or knot cable. Do not crush cable with cable ties. Do not splice cable. Do not bend cable at right angles or make any other sharp bends. All cable bends should have a minimum of a 2" radius. Do not untwist CAT5 pairs more than 1/2".

**Note 1:** DSC recommends that two CAT5 and two RG6 cables be run to each location for future applications, even if they will not be terminated at the cabinet or the outlet at this time.

**Note 2:** Refer to security system installation instructions for wiring and labeling requirements for these systems.

## AC Outlets

Provisions for two single gang electrical boxes have been made in the bottom of the cabinet. These may be used to provide 110VAC outlets to connect power supplies for amplifiers, hubs, security systems, etc.

Alternatively, multiple outlets may be located outside of the cabinet, but within two feet of the cabinet to allow for short power supply cords.

## Grounding

Provision for a grounding strap is an integral part of the cabinet. The hole for a grounding screw is located in the bottom of the cabinet.

## Tamper Switch Installation

Provision for a tamper switch is an integral part of the cabinet. The bracket for a tamper switch is located at the top of the cabinet. Install the tamper switch according to the installation instructions included with the switch.

## Door Installation

1. Install the lockset into the opening provided at the top of the door.
2. Slide the tabs at the bottom of the door into the openings provided in the bottom of the cabinet.
3. Push the top of the door towards the cabinet until fully closed.
4. Insert the key into the lock and turn clockwise to lock the cabinet.