

1142 Two-Button Panic Transmitter

Description

The 1142 is a Two-Button Panic or hold-up transmitter that can be mounted under the counter or on a wall and provides a wall tamper to identify if the unit is removed from its mounted location. The 1142BC is designed to clip to a belt or pocket. Optionally, the 1142BC can be mounted under the counter or on a wall. Both 1142 units provide two buttons, when pressed at the same time, send a panic message to the control panel for annunciation. The 1142 units also provide an LED that can be optionally programmed to provide visual indication that a panic alarm has been transmitted. Both 1142 units operate using the supplied 3 VDC lithium battery.

The 1142 or 1142BC operate with the XR500 Series or XR100 Series Command Processor™ panels using the 1100X Receiver or with the XRSuper6, XR20, and XR40 Command Processor™ panels using the 1100D Receiver.

What is Included

The 1142 Two-Button Panic Transmitter includes the following:

- One 1142 Two-Button Panic Transmitter
- One 3V lithium CR123A Battery
- Hardware pack
- Zone name and number label
- Serial number label

The 1142BC Two-Button Panic Transmitter includes all of the above items and adds a belt clip assembly.

Transmitter Serial Number

For your convenience, an additional pre-printed serial number label is included. Prior to installing the device, record the serial number or place the pre-printed serial number label on the panel programming sheet. This number is required during programming. As needed, use the zone name and number label to identify a specific transmitter.

Programming the Transmitter in the Panel

Refer to the XR500 Series Programming Guide (LT-0679), XR100 Series Programming Guide (LT-0896), or the XRSuper6/XR20/XR40 Programming Guide (LT-0305) as needed. Program the device as a zone in Zone Information during panel programming. At the Serial Number: option, enter the eight-digit serial number.

For 1142 belt clip applications where the transmitter may be taken off-site, supervision programming should be set to 0 (zero).

At the LED Operation option select YES to turn the LED ON when a panic signal is transmitted and acknowledged by the receiver. The LED pulses for five minutes after the acknowledgement is received from the wireless receiver. Select NO if you do not want the LED to turn ON when a panic signal is transmitted. The panel programming default is YES. The LED always operates when the transmitter case is open and the tamper is faulted. Additionally, the LED operates for three additional flashes after the tamper is restored and then turns off for two-button alarm operation.

Note: When a receiver is installed, powered up, or the panel is reset, the supervision time for transmitters is reset. If the receiver has been powered down for more than one hour, wireless transmitters may take up to an additional hour to send a supervision message unless tripped, tampered, or powered up. This operation extends battery life for transmitters. A missing message may display on the keypad until the transmitter sends a supervision message.

Selecting the Proper Location (LED Survey Operation)

The 1142 Transmitter provides a survey capability to allow one person to confirm transmitter communication with the receiver while the cover is removed. The 1142 Transmitter PCB Red Survey LED turns on whenever data is sent to the receiver then immediately turns off when the receiver acknowledgement is received. Pressing the tamper switch is a convenient way to send data to the receiver to confirm operation. When the transmitter does not receive an acknowledgement from the receiver the LED remains on for about 8 seconds to let you know communication is not established. Communication is also faulty when the LED flashes multiple times in quick succession. Relocate the transmitter or receiver until the LED immediately turns off indicating the transmitter and receiver are communicating properly. Proper communication between the transmitter and receiver is verified when for each press or release of the tamper switch, the LED blinks immediately on and immediately off. Repeat this test to confirm five separate consecutive LED blinks. Any indication otherwise means proper communication has not been established.

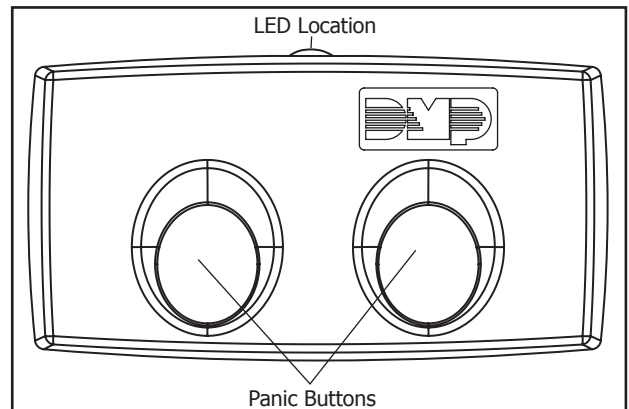


Figure 1: 1142/1142BC Two-Button Panic Transmitter

Mounting the Two-Button Panic Transmitter

For a permanent installation, mount the two-button panic transmitter under the counter or on a wall in a location such that initiating a holdup alarm is not visible to the attacking party. Optionally, the two-button panic can move by installing the belt clip and attaching it to your pocket or belt.

Under-the-Counter Mounting

These instructions cover installing the two-button housing under the counter. Figures 2 and 3 show the housing inside and outside views. Figure 3 indicates where the counter/wall tamper is located.

1. Insert a small flat-head screwdriver into the access slot on either end of the 1142 housing and gently turn the screwdriver to separate the two parts.
2. Set aside the top housing containing the PCB, battery, and LED.
3. Place the base housing with the LED cut-out toward the front lower edge of the counter.
4. Use the two supplied Phillips head screws to mount the base under the counter.

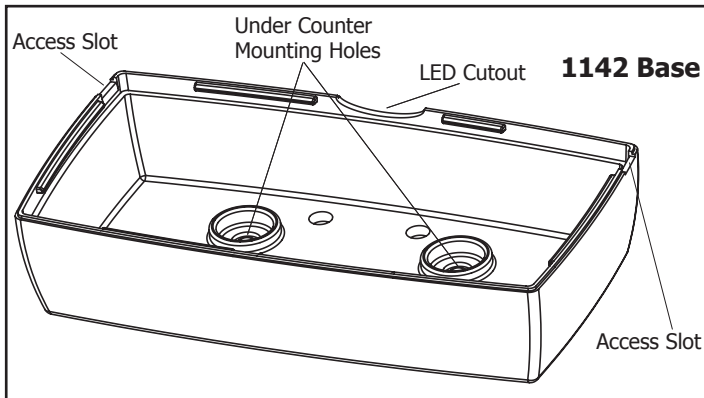


Figure 2: Mounting the Base

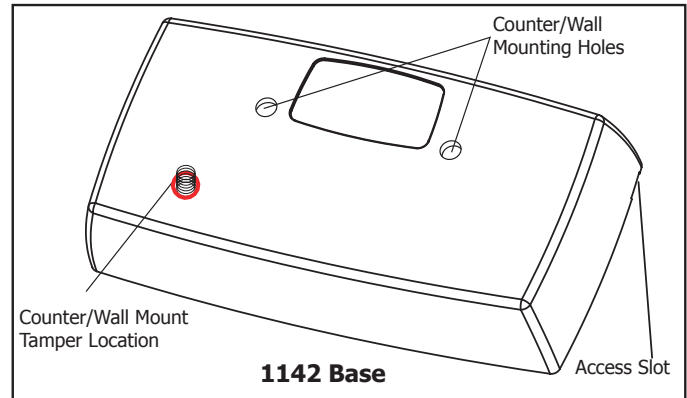


Figure 3: Counter/Wall Tamper Location

5. Align the top housing and LED with the base cut-out and snap the top into place.

Note: For UL listed holdup installations, mount the Model 1142 in a permanent location.

Optional 1142BC Belt Clip Mounting

These instructions cover installing the belt clip to the 1142BC housing base. It is necessary to separate the 1142BC base and top housing to install the Belt Clip.

1. Place the side of the belt clip with the belt clip spacer into the recessed mounting location.
2. From inside the 1142BC base, use the supplied screws and attach the belt clip onto the housing base.

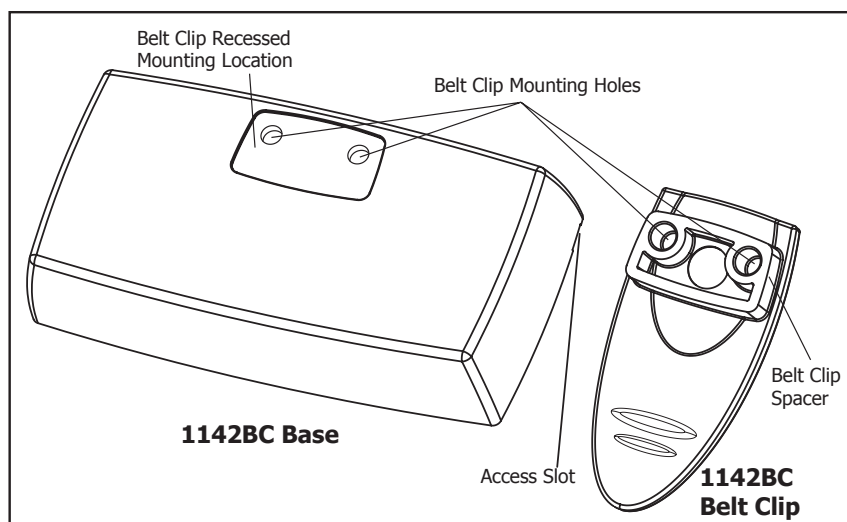


Figure 4: Mounting the Belt Clip

Installing or Replacing the Battery

Observe polarity when installing the battery. Use only 3.0V lithium batteries, DMP Model CR123, or the equivalent battery from a local retail outlet. For UL installations, only use CR123A batteries manufactured by Tekcell.

Note: When setting up a wireless system, it is recommended to program zones and connect the receiver before installing batteries in the transmitters.

1. If installed, remove the transmitter housing cover.
2. If replacing the battery, remove the old battery and dispose of it properly.
3. Place the 3.0V lithium battery in the holder and press into place. See Figure 5 for Battery location.
4. Snap the cover back into place.



Caution: Properly dispose of unused batteries. Do not recharge, disassemble, heat above 212°F (100°C), or incinerate. Risk of fire, explosion, and burns.

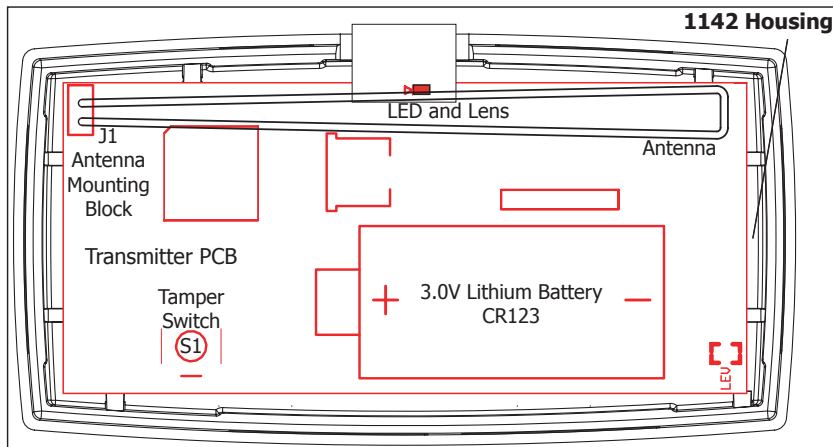


Figure 5: 1142 Transmitter PCB and Battery

Battery Life Expectancy

Typical battery life expectancy for DMP Model 1142 wireless transmitters is 5 years. DMP wireless equipment uses two-way communication to extend battery life.

The following situations can reduce battery life expectancy:

- If a receiver is unplugged, too far away, or not installed.
Note: Transmitters continue to send supervision messages until a receiver returns an acknowledgement. After an hour the transmitter only attempts a supervision message every 60 minutes.
- When installed in extreme hot or cold environments.

The following situation can extend battery life expectancy:

- Extend transmitter supervision time in panel programming.

FCC Information

This device complies with Part 15 of the FCC Rules. Operation is subject to the following two conditions:

- (1) This device may not cause harmful interference, and
- (2) this device must accept any interference received, including interference that may cause undesired operation.

The antenna used for this transmitter must be installed to provide a separation distance of at least 20 cm (7.874 in.) from all persons. It must not be co-located or operated in conjunction with any other antenna or transmitter.

Changes or modifications made by the user and not expressly approved by the party responsible for compliance could void the user's authority to operate the equipment.

NOTE: This equipment has been tested and found to comply with the limits for a Class B digital device, pursuant to part 15 of the FCC Rules. These limits are designed to provide reasonable protection against harmful interference in a residential installation. This equipment generates, uses and can radiate radio frequency energy and, if not installed and used in accordance with the instructions, may cause harmful interference to radio communications. However, there is no guarantee that interference will not occur in a particular installation. If this equipment does cause harmful interference to radio or television reception, which can be determined by turning the equipment off and on, the user is encouraged to try to correct the interference by one or more of the following measures:

- Reorient or relocate the receiving antenna.
- Increase the separation between the equipment and receiver.
- Connect the equipment into an outlet on a circuit different from that to which the receiver is connected.
- Consult the dealer or an experienced radio/TV technician for help.

Specifications

Battery

Life Expectancy 5 years (normal operation)
Type 3.0V lithium CR123A
See Battery Life Expectancy for full details.

Dimensions

Transmitter Case 3.3" L x 1.6" W x 1.2" H
Optional Belt Clip 1.9" L x 0.9" W x 0.3" H

Color White

Housing Material Flame retardant ABS

Patents

Patent(s) Pending

Listings and Approvals

Underwriters Laboratories (UL) Listed

UL 1023 Household Burglar Alarm System Units Accessory
1142 1142BC

UL 636 Holdup Alarm Units and Systems Accessory
1142

FCC Part 15 Registration ID CCK1101



Digital Monitoring Products

800-641-4282

www.dmp.com

Made in the USA

INTRUSION • FIRE • ACCESS • NETWORKS

2500 North Partnership Boulevard

Springfield, Missouri 65803-8877

LT-0700 (1/07) © 2007 Digital Monitoring Products, Inc.

